

## Identification Data



April 18, 2022

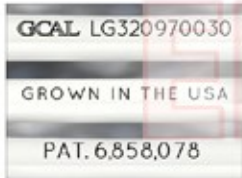
LAB GROWN DIAMOND  
Certificate No: 320970030

**Gemprint** The fingerprint system for diamonds®



Gemprint is the unique optical identification fingerprint of your lab grown diamond. Register your lab grown diamond fingerprint at [www.Gemprint.com](http://www.Gemprint.com) and receive insurance discounts up to 10%.

### Laser Inscription



Girdle laser inscribed:  
GCAL LG320970030  
GROWN IN THE USA  
PAT. 6,858,078  
This illustration depicts the approximate appearance of the inscriptions

*Certified*  
**SUSTAINABILITY RATED  
DIAMOND**  
SCS GLOBAL SERVICES

All certified diamonds come with an individual certificate, ONLY available at an accredited retailer



FOR THE SUSTAINABILITY RATED CERTIFICATE, SCAN HERE →

## The 4Cs Grading Analysis

GCAL 320970030

LAB GROWN DIAMOND\*

Carat Weight: 1.52

Cut: Very Good  
Shape: Princess  
Measurements: 6.35x6.14x4.20mm  
Optical Brilliance: Excellent  
Optical Symmetry: Good  
Polish: Excellent  
External Symmetry: Very Good  
Girdle Thickness: Thick  
Culet Size: None

Color: F  
Fluorescence: None

Clarity: VS2  
Identifying Characteristic(s): Crystal  
Characteristic Location(s): Crown Step

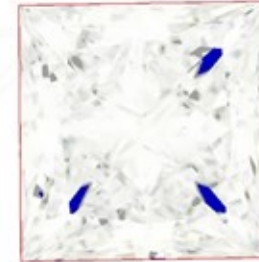
\*Comments: This laboratory grown diamond was created by the CVD (Chemical Vapor Deposition) method, and has the same chemical, physical, and optical properties as a mined diamond. This diamond is Type IIa, which means it is devoid of nitrogen impurities. As Grown - No evidence of post-growth treatment was detected.

Photomicrographs:  
Actual images of the crown (top) and pavilion (bottom) of this diamond photographed at magnifications up to 10x.



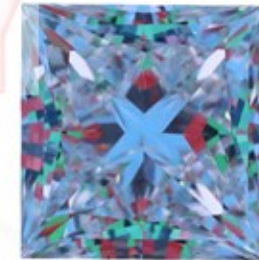
## Light Performance Profile

**Optical Brilliance Analysis:**  
Brilliance is the overall return of light to the viewer. The brilliance image is a representation of (a) white areas of light return, or brilliance, and (b) dark-blue areas of light loss.



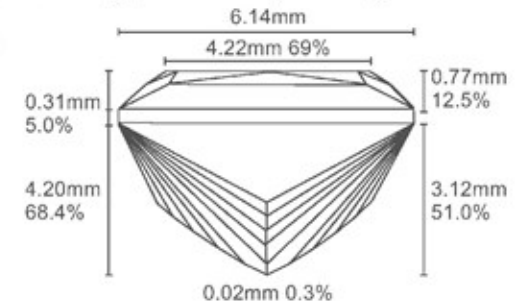
Optical Brilliance  
Excellent

**Optical Symmetry Analysis:**  
The colored areas of the symmetry image are indications of light handling ability, giving a visual representation of proportions and facet alignment.



Optical Symmetry  
Good

**Proportion Diagram:**  
The proportion diagram illustrates the actual dimensions as recorded by optical scanning technology.



**GCAL** GEM CERTIFICATION & ASSURANCE LAB  
ISO 17025 ACCREDITED FORENSIC LABORATORY

580 Fifth Ave LL-05  
New York, NY 10036  
T 212-869-8985  
GCALUSA.com



ISO/IEC 17025 2017  
ANAB L2177-1 Accredited Testing Lab