

## Identification Data



April 8, 2022

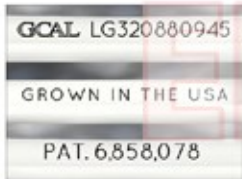
LAB GROWN DIAMOND  
Certificate No: 320880945

**Gemprint**™ *The fingerprint system for diamonds®*



Gemprint is the unique optical identification fingerprint of your lab grown diamond. Register your lab grown diamond fingerprint at [www.Gemprint.com](http://www.Gemprint.com) and receive insurance discounts up to 10%.

### Laser Inscription



Girdle laser inscribed:  
GCAL LG320880945  
GROWN IN THE USA  
PAT. 6,858,078  
This illustration depicts the approximate appearance of the inscriptions

*Certified*  
**SUSTAINABILITY RATED  
DIAMOND**  
SCS GLOBAL SERVICES

All certified diamonds come with an individual certificate, ONLY available at an accredited retailer



FOR THE SUSTAINABILITY RATED CERTIFICATE, SCAN HERE →

## The 4Cs Grading Analysis

GCAL 320880945

LAB GROWN DIAMOND\*

Carat Weight:

0.75

Cut:

Excellent

Shape:

Princess

Measurements:

4.91x4.88x3.49mm

Optical Brilliance:

Excellent

Optical Symmetry:

Very Good

Polish:

Very Good

External Symmetry:

Very Good

Girdle Thickness:

SI.Thick

Culet Size:

None

Color:

F

Fluorescence:

None

Clarity:

VS2

Identifying Characteristic(s):

Clouds

Characteristic Location(s):

Crown Shoulder-Crown Step,  
Crown Step

\*Comments: This laboratory grown diamond was created by the CVD (Chemical Vapor Deposition) method, and has the same chemical, physical, and optical properties as a mined diamond. This diamond is Type IIa, which means it is devoid of nitrogen impurities. As Grown - No evidence of post-growth treatment was detected.

### Photomicrographs:

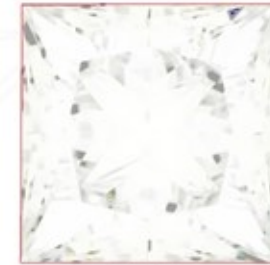
Actual images of the crown (top) and pavilion (bottom) of this diamond photographed at magnifications up to 10x.



## Light Performance Profile

### Optical Brilliance Analysis:

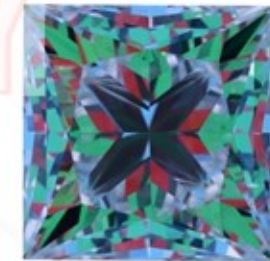
Brilliance is the overall return of light to the viewer. The brilliance image is a representation of (a) white areas of light return, or brilliance, and (b) dark-blue areas of light loss.



Optical Brilliance  
Excellent

### Optical Symmetry Analysis:

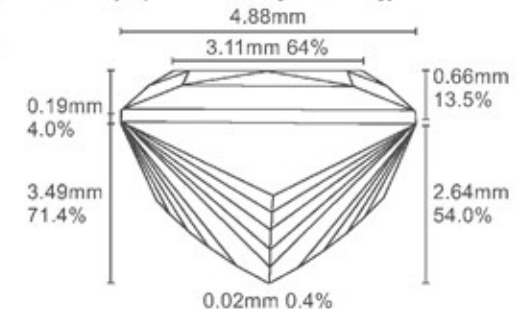
The colored areas of the symmetry image are indications of light handling ability, giving a visual representation of proportions and facet alignment.



Optical Symmetry  
Very Good

### Proportion Diagram:

The proportion diagram illustrates the actual dimensions as recorded by optical scanning technology.



**GCAL** GEM CERTIFICATION & ASSURANCE LAB  
ISO 17025 ACCREDITED FORENSIC LABORATORY

580 Fifth Ave LL-05  
New York, NY 10036  
T 212-869-8985  
GCALUSA.com



ISO/IEC 17025 2017  
ANAB L2177-1 Accredited Testing Lab