

Identification Data



February 14, 2022
 LAB GROWN DIAMOND
 Certificate No: 320322118

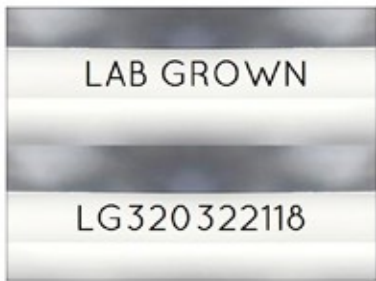


Gemprint is the unique optical fingerprint for positive identification of your lab grown diamond. Register your lab grown diamond at www.Gemprint.com and receive insurance discounts up to 10%.



Laser Inscription:

The illustration depicts enlarged and approximate appearances of the inscriptions. Girdle laser inscribed "LAB GROWN" and "LG320322118"



The 4Cs Grading Analysis

GCAL 320322118

LAB GROWN DIAMOND*

Carat Weight: 2.10

Cut: Excellent
 Shape: Princess
 Measurements: 7.04x7.02x4.93mm
 Optical Brilliance: Excellent
 Optical Symmetry: Very Good
 Polish: Excellent
 External Symmetry: Very Good
 Girdle Thickness: Thin
 Culet Size: None

Color: G
 Fluorescence: None

Clarity: VS2
 Identifying Characteristic(s): Crystals/Cloud
 Characteristic Location(s): Table, Crown Shoulder, Crown Corner, Crown Step/Table

*Comments: This laboratory grown diamond was created by the CVD (Chemical Vapor Deposition) method, and has the same chemical, physical, and optical properties as a mined diamond. This diamond is Type IIa, which means it is devoid of nitrogen impurities.

Photomicrographs:

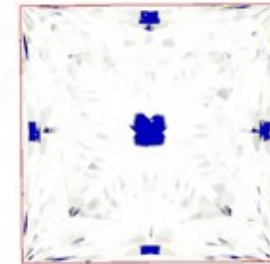
Actual images of the crown (top) and pavilion (bottom) of this diamond photographed at magnifications up to 10x.



Light Performance Profile

Optical Brilliance Analysis:

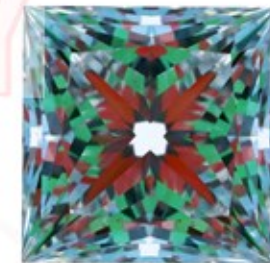
Brilliance is the overall return of light to the viewer. The brilliance image is a representation of (a) white areas of light return, or brilliance, and (b) dark-blue areas of light loss.



Optical Brilliance
 Excellent

Optical Symmetry Analysis:

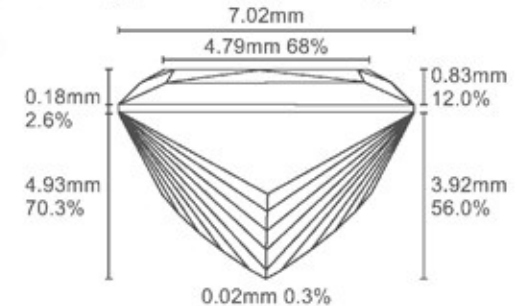
The colored areas of the symmetry image are indications of light handling ability, giving a visual representation of proportions and facet alignment.



Optical Symmetry
 Very Good

Proportion Diagram:

The proportion diagram illustrates the actual dimensions as recorded by optical scanning technology.



GCAL GEM CERTIFICATION & ASSURANCE LAB
 ISO 17025 ACCREDITED FORENSIC LABORATORY

580 Fifth Ave LL-05
 New York, NY 10036
 T 212-869-8985
 GCALUSA.com



ISO/IEC 17025 2017
 ANAB L2177-1 Accredited Testing Lab