

COLORED GEMSTONE REPORT

GCAL C320110006	February 03, 2022
Shape and Cutting Style	Modified Hexagonal Step
Carat Weight	1.19
Measurements	6.94-6.16x4.34mm
Laser Inscription	"AKARA" and "320110006"

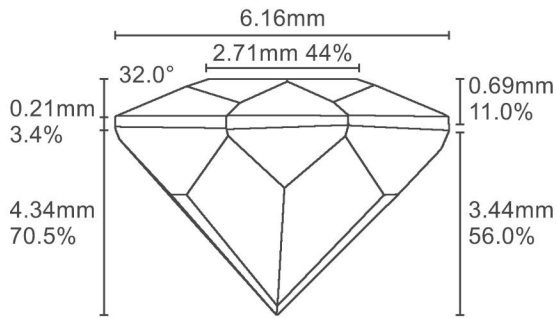
GEMOLOGICAL IDENTIFICATION

Gemstone Variety	Natural Sapphire
Gemstone Species	Natural Corundum
Treatment	Indications of heat treatment
Color	Green
Geographic Origin	Australia

GEMSTONE IMAGES

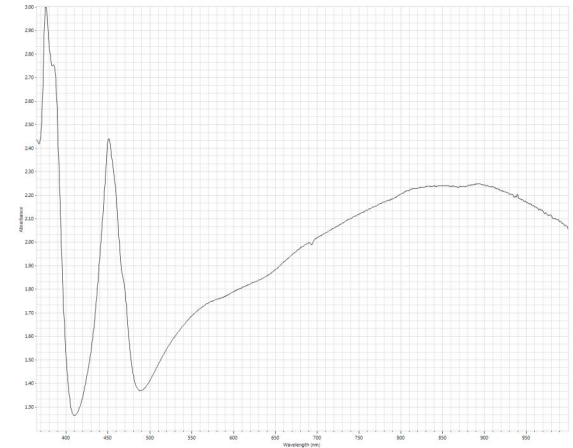


Crown (Top) View



Statement of Geographic Origin

GCAL reviewed documentation provided by the manufacturer supporting their controlled supply chain and system of warranties claiming this gemstone originates from Australia and was cut and polished in Australia.



UV-VIS spectra

Gemprint is an optical fingerprinting technology for diamonds and gemstones. Gemprint is used to positively and noninvasively identify faceted gemstones throughout the supply chain.



Report produced exclusively for **AKARA®** by **Fair Trade Jewellery Co.** a Certified BCorp and Certified Member of the Responsible Jewellery Council.

GCAL GEM CERTIFICATION & ASSURANCE LAB
ISO 17025 ACCREDITED FORENSIC LABORATORY

580 Fifth Avenue LL-05, NY, NY 10036 USA • T 212.869.8985 • GCALUSA.com

ISO/IEC 17025 2017
ANAB L2177-1
Accredited Testing Lab



The conclusions expressed in this report are the opinions of Gem Certification & Assurance Lab, Inc. (GCAL) based on our interpretations of results obtained from standard gemological tests and grading analysis. Most colored gemstones have been subjected to color and/or clarity enhancement treatments. Many of these treatments are considered standard practice and are stable and permanent. These expressions are not warranties or guarantees, and may vary, within reasonable tolerances, due to the vagaries of gemstone treatments, internationally.