

June 16, 2021



GCAL Certificate No:

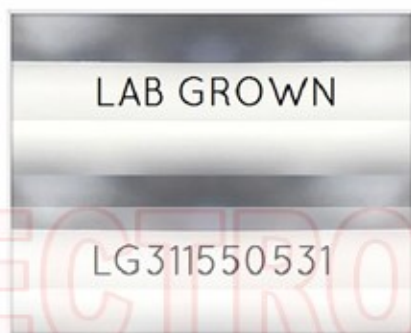
311550531



is the unique optical fingerprint for positive identification of your lab grown diamond. Protect your investment by registering your lab grown diamond at www.Gemprint.com and receive insurance discounts up to 10%



Gemprint



Girdle laser inscribed "LAB GROWN" and "LG311550531"

*Comments: This man-made diamond was grown in a laboratory by the HPHT method, and has the same chemical, physical, and optical properties as a natural earth mined diamond.

LAB GROWN DIAMOND*

Carat Weight: 0.70

Cut: Very Good

Shape: Princess

Measurements: 4.65x4.60x3.56mm

Polish: Good

External Symmetry: Good

Girdle Thickness: Medium-Thick

Culet Size: None

Color: G

Fluorescence: None

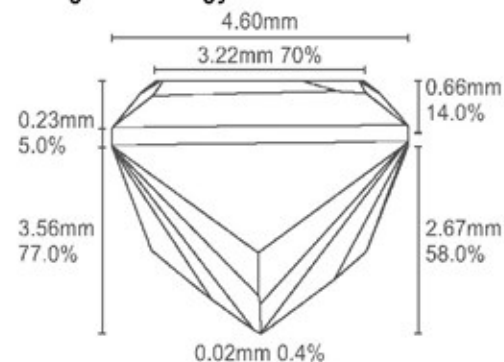
Clarity: VS2

Identifying Characteristic(s):

Characteristic Location(s): Cavity/Needle Crown Step/Table

Proportion Diagram:

The proportion diagram illustrates the actual dimensions as recorded by optical scanning technology.



GCAL GEM CERTIFICATION & ASSURANCE LAB
ISO 17025 ACCREDITED FORENSIC LABORATORY

580 Fifth Ave LL-05, New York, NY 10036
T 212-869-8985 GCALUSA.com

© Gem Certification & Assurance Lab, Inc.



ISO/IEC 17025 2017
ANAB L2177-1 Accredited Testing Lab