

Identification Data



June 11, 2021

LAB GROWN DIAMOND
Certificate No: 311550417

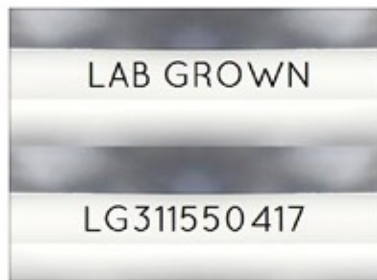
Gemprint™

Gemprint is the unique optical fingerprint for positive identification of your lab grown diamond. Register your lab grown diamond at www.Gemprint.com and receive insurance discounts up to 10%.



Laser Inscription:

The illustration depicts enlarged and approximate appearances of the inscriptions. Girdle laser inscribed "LAB GROWN" and "LG311550417"



The 4Cs Grading Analysis

GCAL 311550417

LAB GROWN DIAMOND*

Carat Weight: 1.01

Cut: Excellent
Shape: Princess
Measurements: 5.49x5.31x3.89mm
Optical Brilliance: Excellent
Optical Symmetry: Very Good
Polish: Excellent
External Symmetry: Very Good
Girdle Thickness: SI.Thick-Thick
Culet Size: None

Color: E
Fluorescence: None

Clarity: VS2
Identifying Characteristic(s): Crystal/Clouds/Feather
Characteristic Location(s): Table/Throughout Crown/Half Moon

*Comments: This man-made diamond was grown in a laboratory by the HPHT method, and has the same chemical, physical, and optical properties as an earth mined diamond.

Photomicrographs:

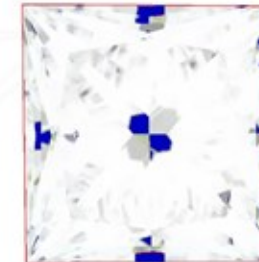
Actual images of the crown (top) and pavilion (bottom) of this diamond photographed at magnifications up to 10x.



Light Performance Profile

Optical Brilliance Analysis:

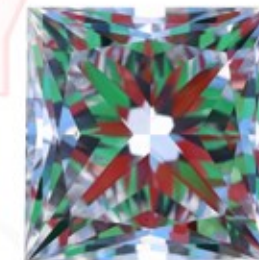
Brilliance is the overall return of light to the viewer. The brilliance image is a representation of (a) white areas of light return, or brilliance, and (b) dark-blue areas of light loss.



Optical Brilliance
Excellent

Optical Symmetry Analysis:

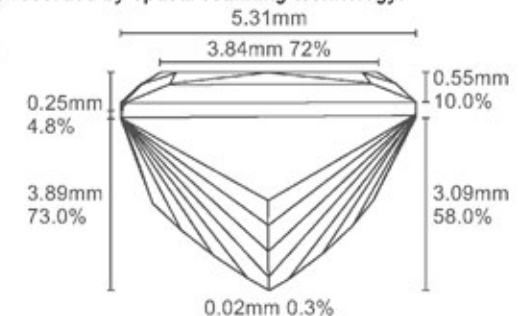
The colored areas of the symmetry image are indications of light handling ability, giving a visual representation of proportions and facet alignment.



Optical Symmetry
Very Good

Proportion Diagram:

The proportion diagram illustrates the actual dimensions as recorded by optical scanning technology.



GCAL GEM CERTIFICATION & ASSURANCE LAB
ISO 17025 ACCREDITED FORENSIC LABORATORY

580 Fifth Avenue LL-05, NY, NY 10036 USA • T 212.869.8985 • GCALUSA.com

ISO/IEC 17025 2017
ANAB L2177-1
Accredited Testing Lab



Guaranteed Lab Grown Diamond Grading Certificate

ELECTRONIC COPY