

COLORED GEMSTONE REPORT

GCAL C310610197	March 14, 2021
Shape and Cutting Style	Oval Modified Brilliant
Rough / Polished Carat Weight	3.00 / 1.01
Measurements	6.69-5.20x3.84mm
Laser Inscription	"AKARA" and "310610197"

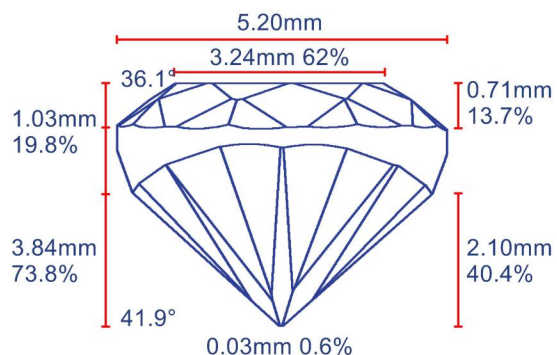
GEMOLOGICAL IDENTIFICATION

Gemstone Variety	Natural Sapphire
Gemstone Species	Natural Corundum
Treatment	Heat Treated
Color	Blue Green
Geographic Origin	Montana, USA

GEMSTONE IMAGES

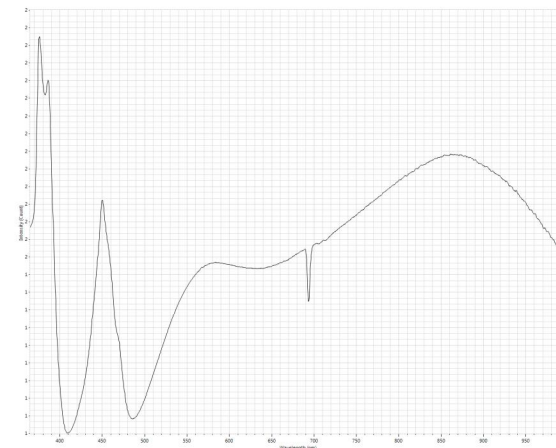


Crown (Top) View



Statement of Geographic Origin

GCAL reviewed documentation provided by the manufacturer supporting their controlled supply chain and system of warranties claiming this gemstone originates from Montana, USA and was cut and polished in the USA.



UV-VIS spectra

Gemprint is an optical fingerprinting technology for diamonds and gemstones. Gemprint is used to positively and noninvasively identify faceted gemstones throughout the supply chain.



Report produced exclusively for **AKARA®** by *Fair Trade Jewellery Co.*, a Certified BCorp and Certified Member of the Responsible Jewellery Council.



The conclusions expressed in this report are the opinions of Gem Certification & Assurance Lab, Inc. (GCAL) based on our interpretations of results obtained from standard gemological tests and grading analysis. Most colored gemstones have been subjected to color and/or clarity enhancement treatments. Many of these treatments are considered standard practice and are stable and permanent. These expressions are not warranties or guarantees, and may vary, within reasonable tolerances, due to the vagaries of gemstone treatments, internationally.

Gem Certification & Assurance Lab, Inc.
 580 Fifth Avenue, LL-05, New York, NY 10036
www.DiamondID.com * www.Gemprint.com