

COLORED GEMSTONE REPORT

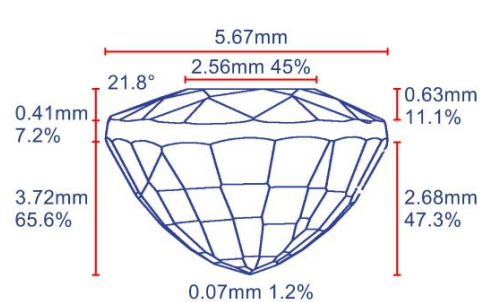
September 09, 2020

GCAL Report Number C301620024

Carat Weight 1.42

Shape & Cutting Style Oval Mixed Cut

Measurements 7.76x5.67x3.72mm



GEMOLOGICAL IDENTIFICATION

Gemstone Variety Natural Pink Sapphire

Mineral Species Natural Corundum

Treatment Indications of low heat treatment

Color Pink

Transparency Transparent

ADDITIONAL INFORMATION

Sapphires are usually heated to enhance the color and/or clarity. The treatment is permanent and stable. The market assumes sapphires are heat treated unless otherwise stated.



The manufacturer has provided documentation stating that this gemstone has come from recycled sources.



The conclusions expressed in this report are the opinions of Gem Certification & Assurance Lab, Inc. (GCAL) based on our interpretations of results obtained from standard gemological tests and grading analysis. Most colored gemstones have been subjected to color and/or clarity enhancement treatments. Many of these treatments are considered standard practice and are stable and permanent. These expressions are not warranties or guarantees, and may vary, within reasonable tolerances, due to the vagaries of gemstone treatments, internationally.