

COLORED GEMSTONE REPORT

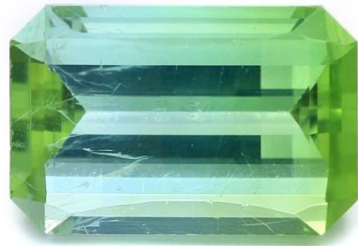
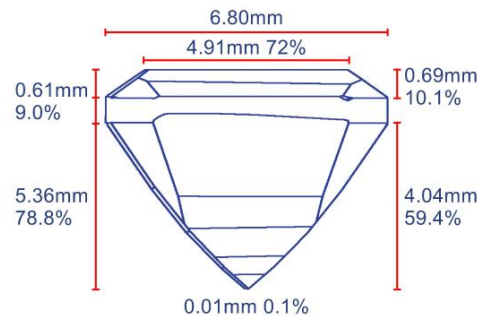
September 09, 2020

GCAL Report Number C301620010

Carat Weight 3.24

Shape & Cutting Style Cut-Cornered Rect. Mod. Step Cut

Measurements 10.45x6.80x5.36mm



GEMOLOGICAL IDENTIFICATION

Gemstone Variety Natural Green Tourmaline

Mineral Species Natural Tourmaline

Treatment See Additional Information

Color Green

Transparency Transparent

ADDITIONAL INFORMATION

Tourmaline is commonly heat treated and/or irradiated to improve the color. The treatment is permanent and stable.



The manufacturer has provided documentation stating that this gemstone has come from recycled sources.



The conclusions expressed in this report are the opinions of Gem Certification & Assurance Lab, Inc. (GCAL) based on our interpretations of results obtained from standard gemological tests and grading analysis. Most colored gemstones have been subjected to color and/or clarity enhancement treatments. Many of these treatments are considered standard practice and are stable and permanent. These expressions are not warranties or guarantees, and may vary, within reasonable tolerances, due to the vagaries of gemstone treatments, internationally.