

April 19, 2016



GCAL Certificate No:

261050026

Gemprint is the unique optical fingerprint for positive identification of your lab grown diamond. Protect your investment by registering your lab grown diamond at www.Gemprint.com and receive insurance discounts up to 10%



Gemprint



Girdle laser inscribed "LAB GROWN" and "LG261050026"

*Comments: This man-made diamond was grown in a laboratory by the HPHT method, and has the same chemical, physical, and optical properties as a natural earth mined diamond. Additional post growth processes have produced the color.



LAB GROWN DIAMOND

Carat Weight: 0.67

Shape: Emerald Step

Measurements: 6.23x4.20x2.51mm

Polish: Good

External Symmetry: Good

Girdle Thickness: Very Thick

Culet Size: None

Color: Fancy Vivid Purplish Pink

Fluorescence: Strong Orange

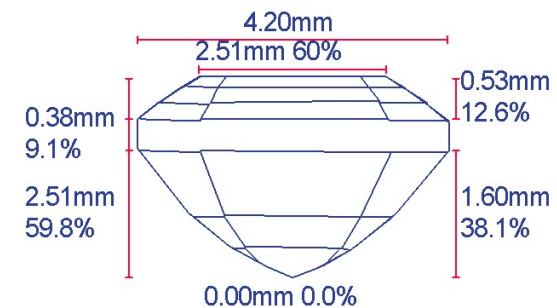
Clarity: SI1

Identifying Characteristic(s): Growth Characteristics

Characteristic Location(s): Crown Step-Girdle, Pavilion, Table, Table, Girdle

Proportion Diagram:

The proportion diagram illustrates the actual dimensions as recorded by optical scanning technology.



580 Fifth Avenue, LL-05, New York, NY 10036

T 212.869.8985 F 212.869.2315

www.DiamondID.com www.GemFacts.com

© 2015 Gem Certification & Assurance Lab, Inc. All Rights Reserved