

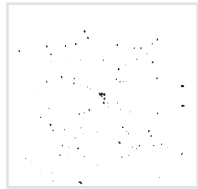
LAB GROWN DIAMOND

GCAL LG360706760

March 18, 2026

IDENTIFICATION DATA

Gemprint™ The fingerprint system for diamonds®



ID No. GCS1-110748

Gemprint is the unique optical fingerprint of your lab grown diamond. This patented technology is positive, forensic identification. Protect your investment and receive discounts up to 10% off your annual insurance premiums. **Register your diamond at Gemprint.com**

Laser Inscription

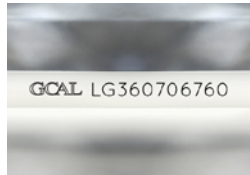
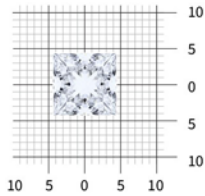


Illustration depicts approx. girdle appearance

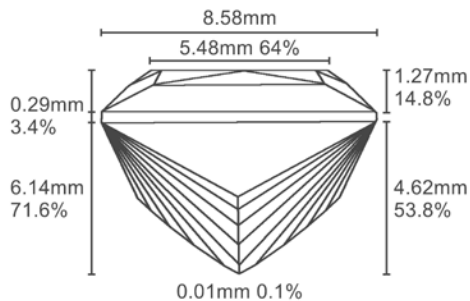
Actual Size



8.72 x 8.58 x 6.14 millimeters (mm)

Proportion Diagram

Optical scanning technology measures each facet and angle to produce an accurate, to-scale diagram of this lab grown diamond.



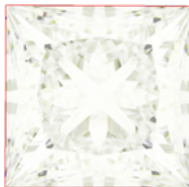
PHOTOMICROGRAPHS



Actual photographs of the crown (top) and pavilion (bottom) of this lab grown diamond photographed at magnifications up to 10x. View hi-res photos at <https://www.gcalusa.com/c/360706760>

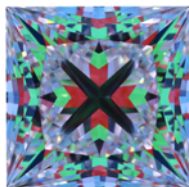
Clarity Characteristics and Locations

LIGHT PERFORMANCE PROFILE



Optical Brilliance **Excellent**

Optical Brilliance is the overall return of white light to the viewer. It is measured to the thousandth decimal place and is represented in this image. The white areas indicate light return / brilliance, and the dark-blue areas indicate light loss.



Optical Symmetry **Excellent**

Optical Symmetry is visualized in this photograph of your lab grown diamond taken in a specific colored lighting environment. The evenness of the pattern illustrates the precision and uniformity of facet shapes and alignment.

GCAL by Sarine Certificate Number

LG360706760

Scan QR code to view details of this lab grown diamond, grading scales, and to download a PDF of this certificate or go to <https://www.gcalusa.com/c/360706760>



4Cs
GRADING

Carat Weight	4.10
Color	D
Clarity	FL
Cut	Ideal

Shape and Cutting Style	Princess
Measurements	8.72 x 8.58 x 6.14 mm
Polish	Excellent
Physical Symmetry	Excellent
Optical Brilliance	Excellent
Optical Symmetry	Excellent
Table %	64%
Depth %	71.6%
Girdle	Medium
Culet	None
Fluorescence	None
Inscription	GCAL LG360706760
Growth Method	HPHT

This lab grown diamond was created by the HPHT (High Pressure High Temperature) method, and has the same chemical, physical and optical properties as a mined diamond.

The specifications noted in this certificate are accurate within recognized gemological tolerances. We stand behind our grading with a 4Cs Consumer Guarantee. Kindly see additional details, including the limitations of the guarantee, at <https://www.gcalusa.com>.



GCAL BY SARINE

GCALUSA.com T+1 212-869-8985

Headquarters	Laboratories
580 fifth Ave, Flr. 27	New York, USA
New York, NY 10036	Surat, INDIA

DIAMOND SHAPES



CARAT WEIGHT SIZES

Carat Weight	2.50	2.00	1.50	1.00	0.75	0.50
Approx. Size						
Diameter	8.60mm	8.00mm	7.30mm	6.40mm	5.80mm	5.10mm

DIAMOND CLARITY GRADING SCALE

FL	IF	VVS1	VVS2	VS1	VS2	S11	S12	I1	I2	I3
FLAWLESS - INTERNALLY FL		VERY VERY SLIGHTLY INCLUDED		VERY SLIGHTLY INCLUDED		SLIGHTLY INCLUDED		INCLUDED/PIQUE		

DIAMOND COLOR GRADING SCALE



D - Z DIAMOND COLOR GRADING SCALE

DIAMOND FLUORESCENCE GRADING SCALE



DIAMOND POLISH & SYMMETRY GRADING SCALE

EXCELLENT	VERY GOOD	GOOD	FAIR	POOR
-----------	-----------	------	------	------

BRILLIANT CUT DIAGRAM



BUY WITH CONFIDENCE

GCAL BY SARINE™ 4Cs GRADING GUARANTEE

The GCAL by Sarine™ philosophy is simple: we believe consumers should feel confident about their lab grown diamond purchase, in the same way we believe experts should be accountable and stand behind their work.

This is why your lab grown diamond is protected by a zero tolerance, money-backed grading guarantee. You should know that the GCAL by Sarine™ 4Cs Grading Certificate is the only 4Cs grading certificate in the world that comes with a guarantee that ensures the accuracy of the certified lab grown diamonds' weight and quality grades. If the carat weight or any of the cut, color, or clarity grades provided in this GCAL by Sarine™ 4Cs Grading Certificate is lower than the weight or quality grade of your certified lab grown diamond, GCAL by Sarine™ will reimburse you the difference between what you paid for the lab grown diamond and the current fair value of an equivalent lab grown diamond in the market in which it was purchased, pursuant to the newly-established grades. Kindly see additional details, including the limitations of the guarantee, at <https://www.gcalusa.com>.

MISSION STATEMENT

To provide the most accurate and consistent gemological grading, with uncompromising integrity and unparalleled customer service.

CERTIFICATE VERIFICATION

You can verify the authenticity of this certificate by entering your GCAL by Sarine™ Certificate Number at <https://www.gcalusa.com>. You can also download a complimentary digital copy of this document to send to your insurance company.



GUARANTEED CERTIFICATE

LAB GROWN DIAMOND

Independently Graded and Guaranteed by GCAL by Sarine™