

# LAB GROWN DIAMOND

**GCAL LG353536513**

February 19, 2026

## LASER INSCRIPTION

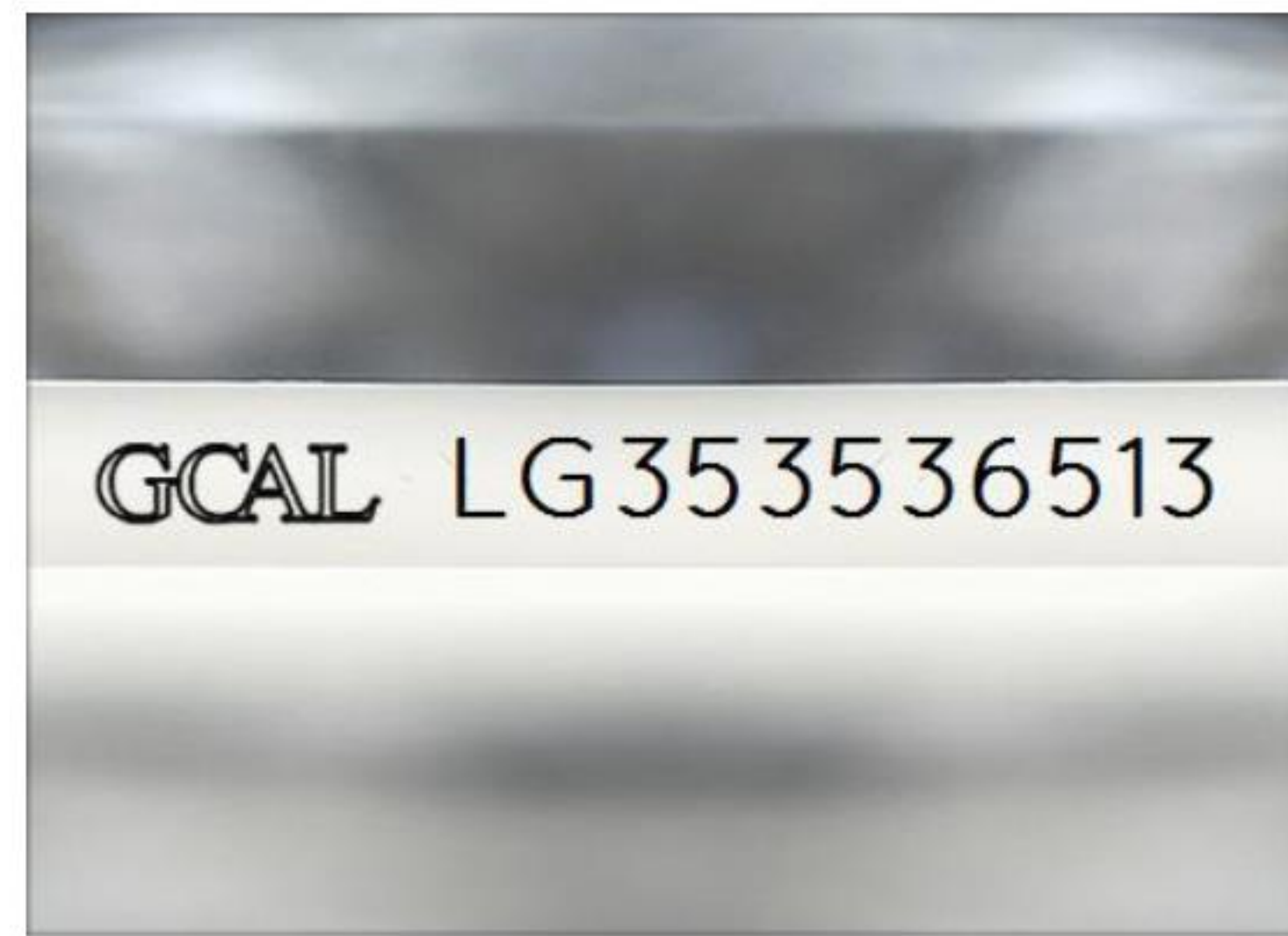
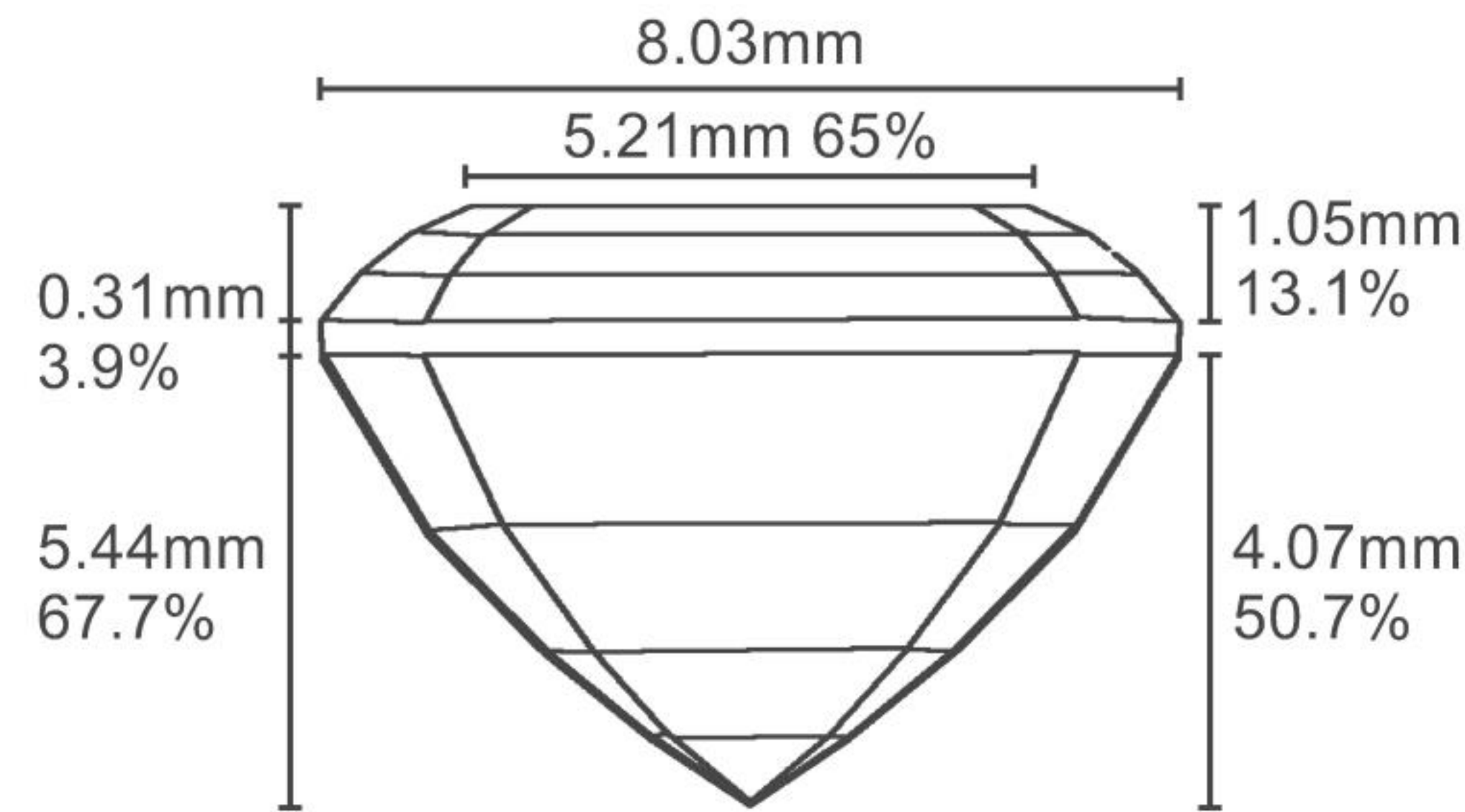


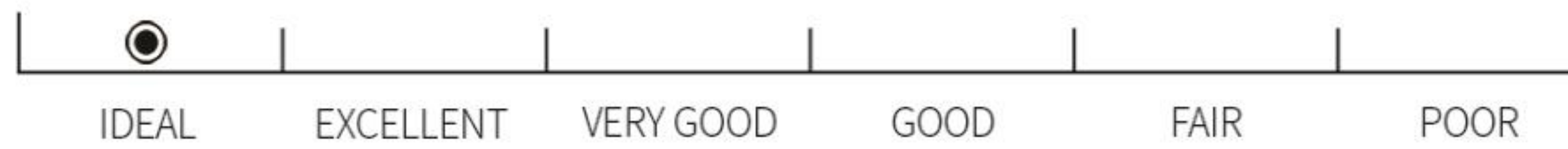
Illustration depicts approx. girdle appearance

## PROPORTION DIAGRAM



Actual proportion diagram

## CUT GRADING SCALE



## CLARITY

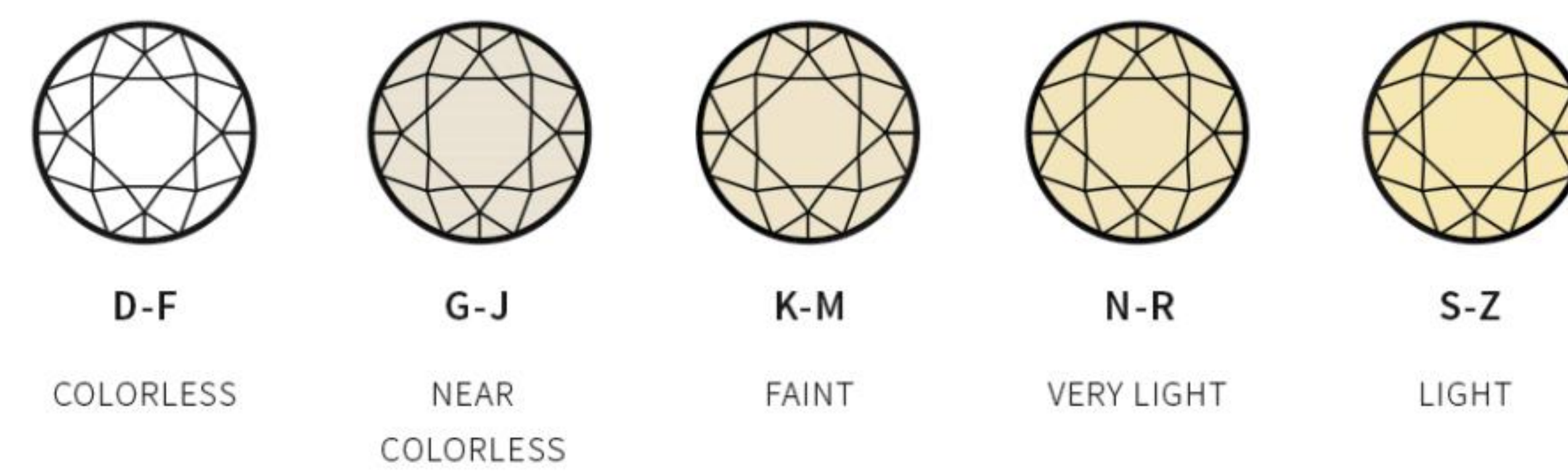


For illustration purposes only

## CLARITY GRADING SCALE



## COLOR



For illustration purposes only

## COLOR GRADING SCALE



## GCAL by Sarine Certificate Number

**LG353536513**

Scan QR code to view details of this lab grown diamond, grading scales, and to download a PDF of this certificate or go to <https://www.gcalusa.com/c/353536513>



## 4Cs GRADING

Carat Weight	<b>4.84</b>
Color	<b>E</b>
Clarity	<b>VS1</b>
Cut	<b>Ideal</b>

Shape and Cutting Style	<b>Emerald Step</b>
Measurements	<b>11.33 - 8.03 x 5.44 mm</b>
Polish	<b>Excellent</b>
Symmetry	<b>Excellent</b>
Table%	<b>65%</b>
Depth%	<b>67.7%</b>
Girdle	<b>Medium to Sl.Thick</b>
Culet	<b>None</b>
Fluorescence	<b>None</b>
Inscription	<b>GCAL LG353536513</b>
Growth Method	<b>CVD</b>

This lab grown diamond was created by the CVD (Chemical Vapor Deposition) method, and has the same chemical, physical and optical properties as a mined diamond.

GCAL has examined this lab grown diamond and certifies that the specifications noted in this document are accurate within recognized gemological tolerances. GCAL is an independent third-party and stands behind our grading with a 4Cs Consumer Guarantee. The guarantee, grading scales and all images unique to this lab grown diamond are available at [GCALUSA.com](http://GCALUSA.com).



**GCAL BY SARINE**  
 ISO 17025 Accredited Forensic Laboratory  
 580 Fifth Ave, Flr 27  
 New York, NY 10036  
 T 212-869-8985  
[GCALUSA.com](http://GCALUSA.com)

**ANAB ACCREDITED**  
 TESTING LABORATORY  
 ISO/IEC 17025 2017  
 ANAB L2177-1 Accredited Testing Lab