

# LAB GROWN DIAMOND

**GCAL LG352620732**

October 06, 2025



The fingerprint system for diamonds



**ID No. NY02-770803**

Gemprint is the unique optical fingerprint of your lab grown diamond. This patented technology is positive, forensic identification. Protect your investment and receive discounts up to 10% off your annual insurance premiums.

**Register your diamond at Gemprint.com**

## Laser Inscription

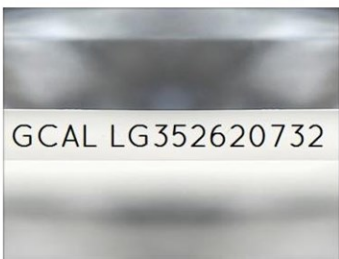
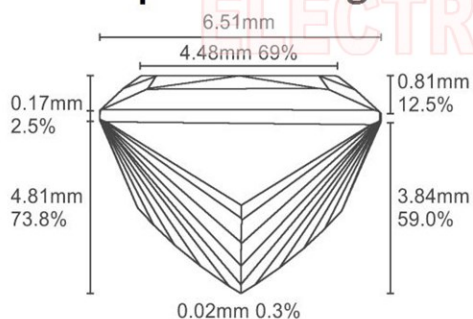


Illustration depicts approx. girdle appearance

## Proportion Diagram



**GCAL Certificate No. LG352620732**

Scan QR code to view details of this lab grown diamond, grading scales, and to download a PDF of this certificate or go to <https://www.gcalusa.com/c/352620732>



## 4C's GRADING

Carat Weight	1.83
Color	F
Clarity	VS2
Cut	Excellent

Shape and Cutting Style	Princess
Measurements	6.73x6.51x4.81mm
Polish	Very Good
Physical Symmetry	Excellent
Optical Brilliance	Excellent
Optical Symmetry	Very Good
Table %	69%
Depth %	73.8%
Girdle	Thin - Thick
Culet	None
Fluorescence	None
Inscription	"GCAL LG352620732"
Growth Method	CVD

This laboratory grown diamond was created by the CVD (Chemical Vapor Deposition) method, and has the same chemical, physical and optical properties as a mined diamond.

## Clarity Characteristics and Locations

Crystals Table



The specifications noted in this certificate are accurate within recognized gemological tolerances. We stand behind our grading with a 4Cs Consumer Guarantee. Kindly see additional details, including the limitation of the guarantee, at [www.GCALUSA.com](http://www.GCALUSA.com).

### GCAL BY SARINE

GCALUSA.com  
T +1 212-869-8985  
© GCAL USA LLC

Headquarters:  
580 Fifth Ave, Flr. 27,  
New York, NY 10036

Laboratories:  
New York, USA  
Surat, INDIA