

# LAB GROWN DIAMOND

**GCAL LG342670102**

October 01, 2024



The fingerprint system for diamonds



**ID No. NY02-714886**

Gemprint is the unique optical fingerprint of your lab grown diamond. This patented technology is positive, forensic identification. Protect your investment and receive discounts up to 10% off your annual insurance premiums.

**Register your diamond at Gemprint.com**

## Laser Inscription

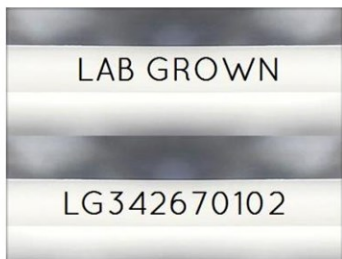
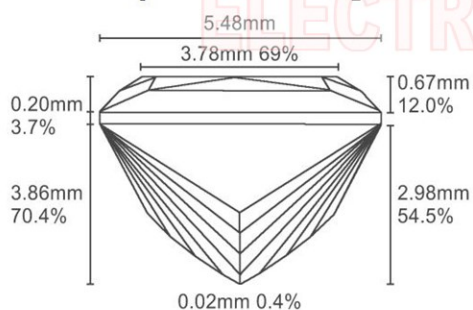


Illustration depicts approx. girdle appearance

## Proportion Diagram



## GCAL Certificate No. LG342670102

Scan QR code to view details of this lab grown diamond, grading scales, and to download a PDF of this certificate or go to <https://www.gcalusa.com/c/342670102>



## 4C's GRADING

|              |           |
|--------------|-----------|
| Carat Weight | 1.04      |
| Color        | D         |
| Clarity      | VS1       |
| Cut          | Excellent |

|                         |                             |
|-------------------------|-----------------------------|
| Shape and Cutting Style | Princess                    |
| Measurements            | 5.56x5.48x3.86mm            |
| Polish                  | Very Good                   |
| Physical Symmetry       | Excellent                   |
| Optical Brilliance      | Excellent                   |
| Optical Symmetry        | Excellent                   |
| Table %                 | 69%                         |
| Depth %                 | 70.4%                       |
| Girdle                  | Medium                      |
| Culet                   | None                        |
| Fluorescence            | None                        |
| Inscription             | "LAB GROWN" & "LG342670102" |
| Growth Method           | CVD                         |

This laboratory grown diamond was created by the CVD (Chemical Vapor Deposition) method, and has the same chemical, physical and optical properties as a mined diamond.

### Clarity Characteristics and Locations

|          |                     |
|----------|---------------------|
| Crystals | Table, Crown Step   |
| Clouds   | Table, Crown Corner |



The specifications noted in this certificate are accurate within recognized gemological tolerances. We stand behind our grading with a 4Cs Consumer Guarantee. Kindly see additional details, including the limitation of the guarantee, at [www.GCALUSA.com](http://www.GCALUSA.com).

### GCAL BY SARINE

GCALUSA.com  
T +1 212-869-8985  
© GCAL USA LLC

Headquarters:  
580 Fifth Ave, Flr. 27,  
New York, NY 10036

Laboratories:  
New York, USA  
Surat, INDIA