

# LAB GROWN DIAMOND

**GCAL LG341806164**

August 05, 2024



The fingerprint system for diamonds



**ID No. NY02-701310**

Gemprint is the unique optical fingerprint of your lab grown diamond. This patented technology is positive, forensic identification. Protect your investment and receive discounts up to 10% off your annual insurance premiums.

**Register your diamond at Gemprint.com**

## Laser Inscription

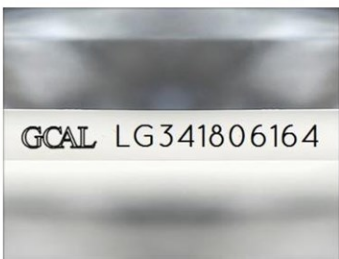
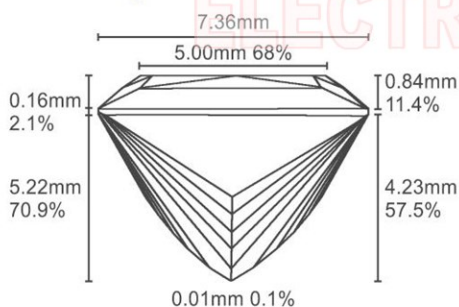


Illustration depicts approx. girdle appearance

## Proportion Diagram



**GCAL Certificate No. LG341806164**

Scan QR code to view details of this lab grown diamond, grading scales, and to download a PDF of this certificate or go to <https://www.gcalusa.com/c/341806164>



## 4C's GRADING

Carat Weight	2.38
Color	F
Clarity	VS1
Cut	Excellent

Shape and Cutting Style	Princess
Measurements	7.47x7.36x5.22mm
Polish	Excellent
Physical Symmetry	Very Good
Optical Brilliance	Excellent
Optical Symmetry	Excellent
Table %	68%
Depth %	70.9%
Girdle	Thin - Medium
Culet	None
Fluorescence	None
Inscription	GCAL Logo & "LG341806164"
Growth Method	CVD

This laboratory grown diamond was created by the CVD (Chemical Vapor Deposition) method, and has the same chemical, physical and optical properties as a mined diamond.

### Clarity Characteristics and Locations

Crystals	Table, Crown Step
Pinpoints	Table



The specifications noted in this certificate are accurate within recognized gemological tolerances. We stand behind our grading with a 4Cs Consumer Guarantee. Kindly see additional details, including the limitation of the guarantee, at [www.GCALUSA.com](http://www.GCALUSA.com).

### GCAL BY SARINE

GCALUSA.com  
T +1 212-869-8985  
© GCAL USA LLC

Headquarters:  
580 Fifth Ave, Flr. 27,  
New York, NY 10036

Laboratories:  
New York, USA  
Surat, INDIA