

# LAB GROWN DIAMOND

**GCAL LG340960360**

April 23, 2024



The fingerprint system for diamonds



**ID No. NY02-671359**

Gemprint is the unique optical fingerprint of your lab grown diamond. This patented technology is positive, forensic identification. Protect your investment and receive discounts up to 10% off your annual insurance premiums.

**Register your diamond at Gemprint.com**

## Laser Inscription

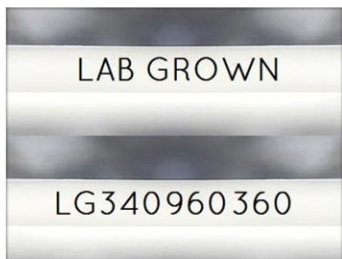
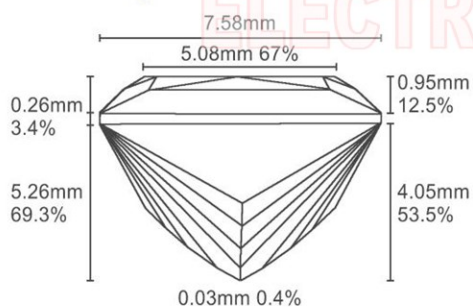


Illustration depicts approx. girdle appearance

## Proportion Diagram



## GCAL Certificate No. LG340960360

Scan QR code to view details of this lab grown diamond, grading scales, and to download a PDF of this certificate or go to <https://www.gcalusa.com/c/340960360>



## 4C's GRADING

Carat Weight	2.67
Color	I
Clarity	VS2
Cut	Excellent

Shape and Cutting Style	Princess
Measurements	7.65-7.58x5.26mm
Polish	Very Good
Physical Symmetry	Very Good
Optical Brilliance	Excellent
Optical Symmetry	Very Good
Table %	67%
Depth %	69.3%
Girdle	Medium - Sl.Thick
Culet	None
Fluorescence	None
Inscription	"LAB GROWN" & "LG340960360"
Growth Method	CVD

This laboratory grown diamond was created by the CVD (Chemical Vapor Deposition) method, and has the same chemical, physical and optical properties as a mined diamond.

## Clarity Characteristics and Locations

Feather	Crown Step
Crystal, Pinpoint	Table
Chip	Crown Corner



**GCAL** GEM CERTIFICATION & ASSURANCE LAB  
ISO 17025 ACCREDITED FORENSIC LABORATORY

580 Fifth Ave, Flr 27, NYC, NY 10036  
T 212-869-8985 GCALUSA.com

© Gem Certification & Assurance Lab, Inc.



ISO/IEC 17025 2017  
ANAB L2177-1 Accredited Testing Lab