

LAB GROWN DIAMOND

GCAL LG340090512

January 16, 2024



The fingerprint system for diamonds



ID No. NY02-646674

Gemprint is the unique optical fingerprint of your lab grown diamond. This patented technology is positive, forensic identification. Protect your investment and receive discounts up to 10% off your annual insurance premiums.

Register your diamond at [Gemprint.com](https://www.gemprint.com)

Laser Inscription

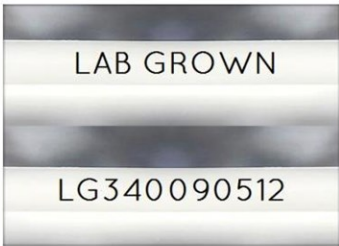
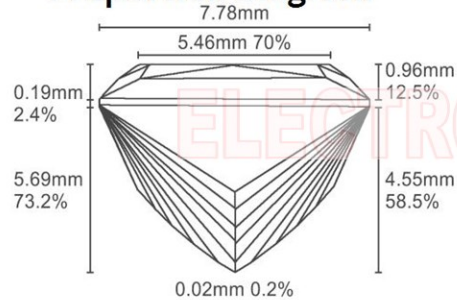


Illustration depicts approx. girdle appearance

Proportion Diagram



GCAL Certificate No. LG340090512

Scan QR code to view details of this lab grown diamond, grading scales, and to download a PDF of this certificate or go to <https://www.gcalusa.com/c/340090512>



4C's GRADING

Carat Weight	2.99
Color	H
Clarity	WS2
Cut	Excellent

Shape and Cutting Style	Princess
Measurements	7.82-7.78x5.69mm
Polish	Excellent
Physical Symmetry	Very Good
Optical Brilliance	Excellent
Optical Symmetry	Very Good
Table %	70%
Depth %	73.2%
Girdle	Medium
Culet	None
Fluorescence	None
Inscription	"LAB GROWN" & "LG340090512"
Growth Method	CVD



All certified diamonds come with an individual certificate, ONLY available at an accredited retailer.

← FOR THE SUSTAINABILITY RATED CERTIFICATE SCAN HERE



Certified SUSTAINABILITY RATED DIAMOND SCS GLOBAL SERVICES



GCAL GEM CERTIFICATION & ASSURANCE LAB ISO 17025 ACCREDITED FORENSIC LABORATORY

580 Fifth Ave, Flr 27, NYC, NY 10036 T 212-869-8985 GCALUSA.com



ISO/IEC 17025 2017 ANAB L2177-1 Accredited Testing Lab

© Gem Certification & Assurance Lab, Inc.

This laboratory grown diamond was created by the CVD (Chemical Vapor Deposition) method, and has the same chemical, physical and optical properties as a mined diamond.

Clarity Characteristics and Locations

Needle	Crown Corner
Pinpoints	Table,Crown Step