

# LAB GROWN DIAMOND

**GCAL LG333130160**

November 21, 2023

**Gemprint**<sup>®</sup> *The fingerprint system for diamonds*



**ID No. NY02-635681**

Gemprint is the unique optical fingerprint of your lab grown diamond. This patented technology is positive, forensic identification. Protect your investment and receive discounts up to 10% off your annual insurance premiums.

**Register your diamond at Gemprint.com**

## Laser Inscription

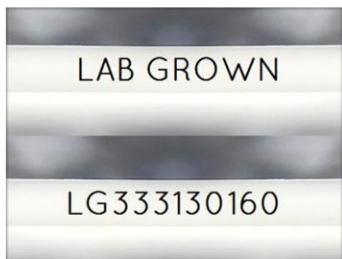
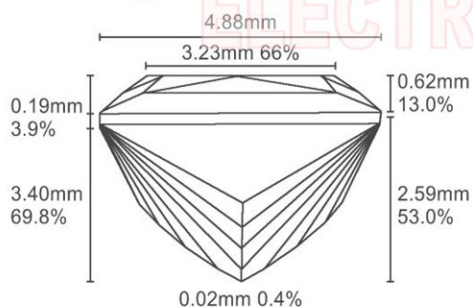


Illustration depicts approx. girdle appearance

## Proportion Diagram



## GCAL Certificate No. LG333130160

Scan QR code to view details of this lab grown diamond, grading scales, and to download a PDF of this certificate or go to <https://www.gcalusa.com/c/333130160>



## 4C's GRADING

Carat Weight	0.72
Color	E
Clarity	VS2
Cut	Excellent

Shape and Cutting Style	Princess
Measurements	4.91-4.88x3.40mm
Polish	Excellent
Physical Symmetry	Excellent
Optical Brilliance	Excellent
Optical Symmetry	Very Good
Table %	66%
Depth %	69.8%
Girdle	Sl.Thick
Culet	None
Fluorescence	None
Inscription	"LAB GROWN" & "LG333130160"
Growth Method	HPHT

This laboratory grown diamond was created by the HPHT (High Pressure High Temperature) method, and has the same chemical, physical and optical properties as a mined diamond.

## Clarity Characteristics and Locations

Pinpoints	Crown Step, Half Moon
Chips	Pavilion Corner



**GCAL** GEM CERTIFICATION & ASSURANCE LAB  
ISO 17025 ACCREDITED FORENSIC LABORATORY

580 Fifth Ave, Flr 27, NYC, NY 10036  
T 212-869-8985 GCALUSA.com



ISO/IEC 17025 2017  
ANAB L2177-1 Accredited Testing Lab

© Gem Certification & Assurance Lab, Inc.