

# LAB GROWN DIAMOND

**GCAL LG332350747**

September 05, 2023



The fingerprint system for diamonds



**ID No. NY02-608259**

Gemprint is the unique optical fingerprint of your lab grown diamond. This patented technology is positive, forensic identification. Protect your investment and receive discounts up to 10% off your annual insurance premiums.

**Register your diamond at Gemprint.com**

## Laser Inscription

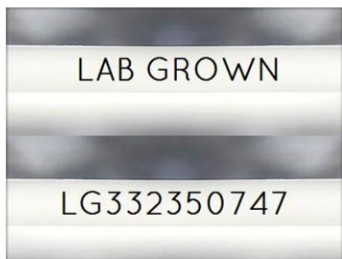
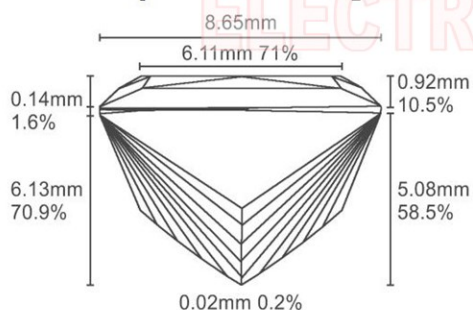


Illustration depicts approx. girdle appearance

## Proportion Diagram



## GCAL Certificate No. LG332350747

Scan QR code to view details of this lab grown diamond, grading scales, and to download a PDF of this certificate or go to <https://www.gcalusa.com/c/332350747>



## 4C's GRADING

Carat Weight	4.07
Color	E
Clarity	VS1
Cut	Ideal

Shape and Cutting Style	Princess
Measurements	8.84-8.65x6.13mm
Polish	Excellent
Physical Symmetry	Excellent
Optical Brilliance	Excellent
Optical Symmetry	Excellent
Table %	71%
Depth %	70.9%
Girdle	Thin - Medium
Culet	None
Fluorescence	None
Inscription	"LAB GROWN" & "LG332350747"
Growth Method	CVD

This laboratory grown diamond was created by the CVD (Chemical Vapor Deposition) method, and has the same chemical, physical and optical properties as a mined diamond.

## Clarity Characteristics and Locations

Crystal	Crown Step
Clouds	Crown Step, Table
Feather	Pavilion Corner



**GCAL** GEM CERTIFICATION & ASSURANCE LAB  
ISO 17025 ACCREDITED FORENSIC LABORATORY

580 Fifth Ave, Flr 27, NYC, NY 10036  
T 212-869-8985 GCALUSA.com

© Gem Certification & Assurance Lab, Inc.



ISO/IEC 17025 2017  
ANAB L2177-1 Accredited Testing Lab