

LAB GROWN DIAMOND

GCAL 330651408

March 29, 2023



ID No. NY02-563463

Gemprint is the unique optical fingerprint of your lab grown diamond. This patented technology is positive, forensic identification. Protect your investment and receive discounts up to 10% off your annual insurance premiums. **Register your diamond at Gemprint.com**

Laser Inscription

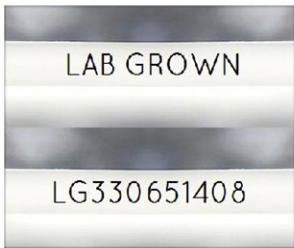
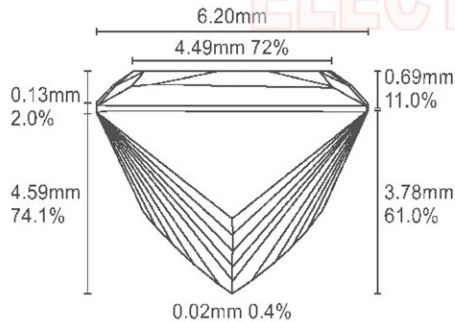


Illustration depicts approx. girdle appearance

Proportion Diagram



GCAL Certificate No. LG330651408

Scan QR code to view photos of this lab grown diamond, grading scales, and to download a PDF of this certificate or go to <https://www.gcalusa.com/c/330651408>



4C's GRADING

Carat Weight	1.50
Color	F
Clarity	VS1
Cut	Excellent

Shape and Cutting Style	Princess
Measurements	6.22x6.20x4.59
Polish	Very Good
Physical Symmetry	Very Good
Optical Brilliance	Excellent
Optical Symmetry	Excellent
Table %	72%
Depth %	74.1%
Girdle	Very Thin to Thin
Culet	None
Fluorescence	None
Inscription	"LAB GROWN" & "LG330651408"
Growth Method	CVD



GCAL GEM CERTIFICATION & ASSURANCE LAB
ISO 17025 ACCREDITED FORENSIC LABORATORY

580 Fifth Ave, Flr 27, NYC, NY 10036
T 212-869-8985 GCALUSA.com



ISO/IEC 17025 2017
ANAB L2177-1 Accredited Testing Lab

© Gem Certification & Assurance Lab, Inc.

This laboratory grown diamond was created by the CVD (Chemical Vapor Deposition) method, and has the same chemical, physical and optical properties as a mined diamond.

Clarity Characteristics and Locations

Crystal, Cloud Table