

# LAB GROWN DIAMOND

GCAL 330651398

March 29, 2023



ID No. NY02-563445

Gemprint is the unique optical fingerprint of your lab grown diamond. This patented technology is positive, forensic identification. Protect your investment and receive discounts up to 10% off your annual insurance premiums. Register your diamond at [Gemprint.com](https://www.gemprint.com)

## Laser Inscription

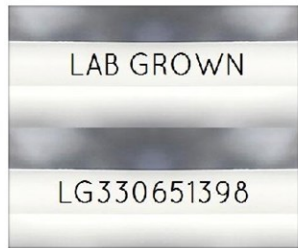
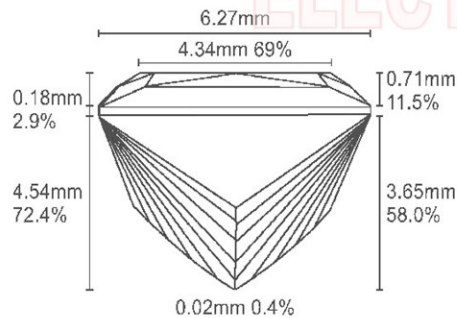


Illustration depicts approx. girdle appearance

## Proportion Diagram



GCAL Certificate No. LG330651398

Scan QR code to view photos of this lab grown diamond, grading scales, and to download a PDF of this certificate or go to <https://www.gcalusa.com/c/330651398>



## 4C's GRADING

Carat Weight	1.58
Color	F
Clarity	VS1
Cut	Excellent

Shape and Cutting Style	Princess
Measurements	6.32x6.27x4.54
Polish	Very Good
Physical Symmetry	Excellent
Optical Brilliance	Excellent
Optical Symmetry	Excellent
Table %	69%
Depth %	72.4%
Girdle	Medium
Culet	None
Fluorescence	None
Inscription	"LAB GROWN" & "LG330651398"
Growth Method	CVD



**GCAL** GEM CERTIFICATION & ASSURANCE LAB  
ISO 17025 ACCREDITED FORENSIC LABORATORY

580 Fifth Ave, Flr 27, NYC, NY 10036  
T 212-869-8985 [GCALUSA.com](https://www.gcalusa.com)



ISO/IEC 17025 2017  
ANAB L2177-1 Accredited Testing Lab

© Gem Certification & Assurance Lab, Inc.

This laboratory grown diamond was created by the CVD (Chemical Vapor Deposition) method, and has the same chemical, physical and optical properties as a mined diamond.

## Clarity Characteristics and Locations

Clouds, Crystal	Table
Feather	Chevron