

# LAB GROWN DIAMOND

GCAL 330651379

March 29, 2023



ID No. NY02-563412

Gemprint is the unique optical fingerprint of your lab grown diamond. This patented technology is positive, forensic identification. Protect your investment and receive discounts up to 10% off your annual insurance premiums. Register your diamond at [Gemprint.com](https://www.gemprint.com)

## Laser Inscription

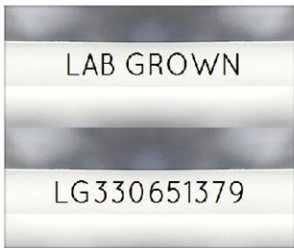
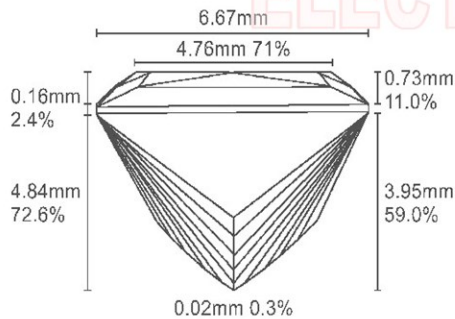


Illustration depicts approx. girdle appearance

## Proportion Diagram



GCAL Certificate No. LG330651379

Scan QR code to view photos of this lab grown diamond, grading scales, and to download a PDF of this certificate or go to <https://www.gcalusa.com/c/330651379>



# 4C's GRADING

|              |                  |
|--------------|------------------|
| Carat Weight | <b>1.87</b>      |
| Color        | <b>E</b>         |
| Clarity      | <b>VS1</b>       |
| Cut          | <b>Excellent</b> |

|                         |  |
|-------------------------|--|
| Shape and Cutting Style | <b>Princess</b>                        |
| Measurements            | <b>6.86x6.67x4.84</b>                  |
| Polish                  | <b>Very Good</b>                       |
| Physical Symmetry       | <b>Very Good</b>                       |
| Optical Brilliance      | <b>Excellent</b>                       |
| Optical Symmetry        | <b>Excellent</b>                       |
| Table %                 | <b>71%</b>                             |
| Depth %                 | <b>72.6%</b>                           |
| Girdle                  | <b>Thin</b>                            |
| Culet                   | <b>None</b>                            |
| Fluorescence            | <b>None</b>                            |
| Inscription             | <b>"LAB GROWN" &amp; "LG330651379"</b> |
| Growth Method           | <b>CVD</b>                             |



**GCAL** GEM CERTIFICATION & ASSURANCE LAB  
ISO 17025 ACCREDITED FORENSIC LABORATORY

580 Fifth Ave, Flr 27, NYC, NY 10036  
T 212-869-8985 [GCALUSA.com](https://www.gcalusa.com)



ISO/IEC 17025 2017  
ANAB L2177-1 Accredited Testing Lab

© Gem Certification & Assurance Lab, Inc.

This laboratory grown diamond was created by the CVD (Chemical Vapor Deposition) method, and has the same chemical, physical and optical properties as a mined diamond.

## Clarity Characteristics and Locations

Crystals, Clouds Table