

LAB GROWN DIAMOND

GCAL 330651346

March 29, 2023



ID No. NY02-563306

Gemprint is the unique optical fingerprint of your lab grown diamond. This patented technology is positive, forensic identification. Protect your investment and receive discounts up to 10% off your annual insurance premiums. **Register your diamond at Gemprint.com**

Laser Inscription

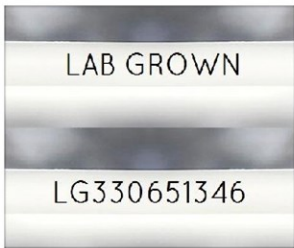
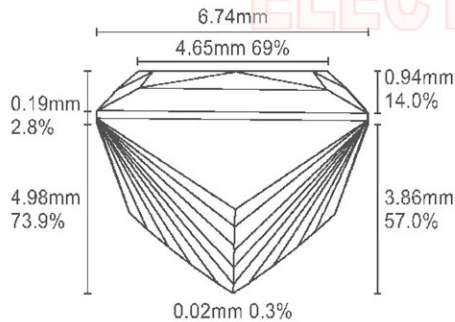


Illustration depicts approx. girdle appearance

Proportion Diagram



GCAL Certificate No. LG330651346

Scan QR code to view photos of this lab grown diamond, grading scales, and to download a PDF of this certificate or go to <https://www.gcalusa.com/c/330651346>



4C's GRADING

| | |
|--------------|------------------|
| Carat Weight | 2.06 |
| Color | H |
| Clarity | VS1 |
| Cut | Excellent |

| | |
|-------------------------|--|
| Shape and Cutting Style | Princess |
| Measurements | 6.82x6.74x4.98 |
| Polish | Very Good |
| Physical Symmetry | Excellent |
| Optical Brilliance | Excellent |
| Optical Symmetry | Very Good |
| Table % | 69% |
| Depth % | 73.9% |
| Girdle | Thin to Medium |
| Culet | None |
| Fluorescence | None |
| Inscription | "LAB GROWN" & "LG330651346" |
| Growth Method | CVD |



GCAL GEM CERTIFICATION & ASSURANCE LAB
ISO 17025 ACCREDITED FORENSIC LABORATORY

580 Fifth Ave, Flr 27, NYC, NY 10036
T 212-869-8985 GCALUSA.com



ISO/IEC 17025 2017
ANAB L2177-1 Accredited Testing Lab

© Gem Certification & Assurance Lab, Inc.

This laboratory grown diamond was created by the CVD (Chemical Vapor Deposition) method, and has the same chemical, physical and optical properties as a mined diamond.

Clarity Characteristics and Locations

| | |
|----------|---------------------|
| Crystals | Crown Corner, Table |
| Feather | Pavilion Main |