

LAB GROWN DIAMOND

GCAL LG323000145

November 10, 2022

IDENTIFICATION DATA

Gemprint® *The fingerprint system for diamonds*



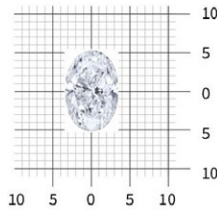
ID No. NY02-536986
Gemprint is the unique optical fingerprint of your lab grown diamond. This patented technology is positive, forensic identification. Protect your investment and receive discounts up to 10% off your annual insurance premiums. **Register your diamond at Gemprint.com**

Laser Inscription



Illustration depicts approx. girdle appearance

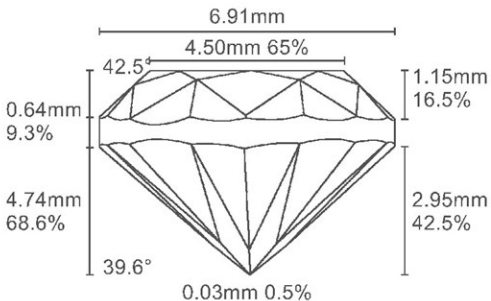
Actual Size



10.52 x 6.91 x 4.74 millimeters (mm)

Proportion Diagram

Optical scanning technology measures each facet and angle to produce an accurate, to-scale diagram of this lab grown diamond.



PHOTOMICROGRAPHS

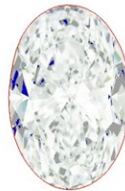


Actual photographs of the crown (top) and pavilion (bottom) of this lab grown diamond photographed at magnifications up to 10x. View hi-res photos at <https://www.gcalusa.com/c/323000145>

Clarity Characteristics and Locations

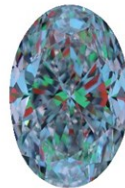
Dark Crystal	Upper Girdle
Clouds	Upper Girdle, Table
Feather	Bezel to Pavilion

ELECTRONIC COPY
LIGHT PERFORMANCE PROFILE



Optical Brilliance **Excellent**

Optical Brilliance is the overall return of white light to the viewer. It is measured to the thousandth decimal place and is represented in this image. The white areas indicate light return / brilliance, and the dark blue areas indicate light loss.



Optical Symmetry **Good**

Optical Symmetry is visualized in this photograph of your lab grown diamond taken in a specific colored lighting environment. The evenness of the pattern illustrates the precision and uniformity of facet shapes and alignment.

GCAL Certificate No. LG323000145

Mfr Stone No. M97369

Scan QR code to view photos of this lab grown diamond, grading scales, and to download a PDF of this certificate



4C's GRADING

Carat Weight	2.46
Color	F
Clarity	SI1
Cut	Very Good

Shape and Cutting Style	Oval Brilliant
Measurements	10.52x6.91x4.74
Polish	Excellent
Physical Symmetry	Very Good
Optical Brilliance	Excellent
Optical Symmetry	Good
Table %	65%
Depth %	68.6%
Girdle	Very Thick to Ex. Thick, Faceted
Culet	None
Fluorescence	None
Inscription	"LAB GROWN PAT. 6,858,078" & "LG323000145"
Growth Method	CVD

This laboratory grown diamond was created by the CVD (Chemical Vapor Deposition) method, and has the same chemical, physical and optical properties as a mined diamond. As Grown - No evidence of post growth treatment was detected.

ONE LOCATION. ONE STANDARD. GRADED IN THE USA

Gem Certification & Assurance Lab has examined this lab grown diamond and certifies that the specifications noted in this document are accurate within recognized gemological tolerances. GCAL is an independent third-party and stands behind our grading with a 4Cs Consumer Guarantee. The guarantee, grading scales and all images unique to this lab grown diamond are available at GCALUSA.com.



Gem Certification & Assurance Lab, Inc.
ISO 17025 Accredited Forensic Laboratory
580 Fifth Ave, Flr 27
New York, NY 10036
T 212-869-8985
GCALUSA.com



ISO/IEC 17025 2017
ANAB L2177-1 Accredited Testing Lab