

LAB GROWN DIAMOND

GCAL 322880763

November 18, 2022



ID No. NY02-538919

Gemprint is the unique optical fingerprint of your lab grown diamond. This patented technology is positive, forensic identification. Protect your investment and receive discounts up to 10% off your annual insurance premiums. Register your diamond at [Gemprint.com](https://www.gemprint.com)

Laser Inscription

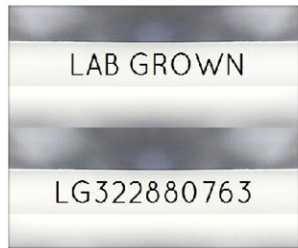
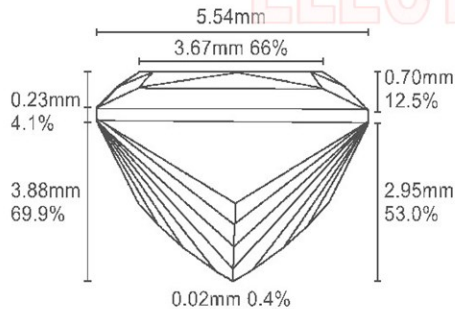


Illustration depicts approx. girdle appearance

Proportion Diagram



GCAL Certificate No. LG322880763

Scan QR code to view photos of this lab grown diamond, grading scales, and to download a PDF of this certificate or go to <https://www.gcalusa.com/c/322880763>



4C's GRADING

Carat Weight	1.07
Color	D
Clarity	IF
Cut	Excellent

Shape and Cutting Style

Princess

Measurements

5.62x5.54x3.88

Polish

Very Good

Physical Symmetry

Very Good

Optical Brilliance

Excellent

Optical Symmetry

Very Good

Table %

66%

Depth %

69.9%

Girdle

Sl.Thick

Culet

None

Fluorescence

None

Inscription

"LAB GROWN" & "LG322880763"

Growth Method

HPHT



GCAL GEM CERTIFICATION & ASSURANCE LAB
ISO 17025 ACCREDITED FORENSIC LABORATORY

580 Fifth Ave, Flr 27, NYC, NY 10036
T 212-869-8985 [GCALUSA.com](https://www.gcalusa.com)



© Gem Certification & Assurance Lab, Inc.

ISO/IEC 17025 2017
ANAB L2177-1 Accredited Testing Lab

This laboratory grown diamond was created by the HPHT (High Pressure High Temperature) method, and has the same chemical, physical and optical properties as a mined diamond.

Clarity Characteristics and Locations