

LAB GROWN DIAMOND

GCAL 322730986

October 21, 2022



ID No. NY02-530748

Gemprint is the unique optical fingerprint of your lab grown diamond. This patented technology is positive, forensic identification. Protect your investment and receive discounts up to 10% off your annual insurance premiums. Register your diamond at [Gemprint.com](https://www.gemprint.com)

Laser Inscription

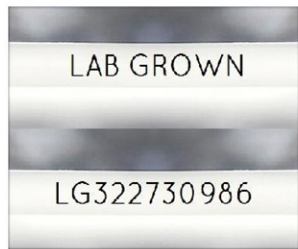
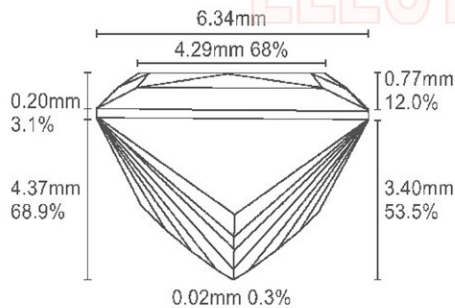


Illustration depicts approx. girdle appearance

Proportion Diagram



GCAL Certificate No. LG322730986

Scan QR code to view photos of this lab grown diamond, grading scales, and to download a PDF of this certificate or go to <https://www.gcalusa.com/c/322730986>



4C's GRADING

Carat Weight	1.54
Color	D
Clarity	VS2
Cut	Excellent

Shape and Cutting Style

Princess

Measurements

6.42x6.34x4.37

Polish

Excellent

Physical Symmetry

Very Good

Optical Brilliance

Excellent

Optical Symmetry

Excellent

Table %

68%

Depth %

68.9%

Girdle

Thick

Culet

None

Fluorescence

None

Inscription

"LAB GROWN" & "LG322730986"

Growth Method

HPHT

This laboratory grown diamond was created by the HPHT (High Pressure High Temperature) method, and has the same chemical, physical and optical properties as a mined diamond.

Clarity Characteristics and Locations

Crystals, Feather
Needles

Table
Crown Corner, Crown Step, Crown



GCAL GEM CERTIFICATION & ASSURANCE LAB
ISO 17025 ACCREDITED FORENSIC LABORATORY

580 Fifth Ave, Flr 27, NYC, NY 10036
T 212-869-8985 [GCALUSA.com](https://www.gcalusa.com)



ISO/IEC 17025 2017
ANAB L2177-1 Accredited Testing Lab

© Gem Certification & Assurance Lab, Inc.