

LAB GROWN DIAMOND

GCAL 322361250

September 13, 2022

Gemprint[®] The fingerprint system for diamonds



ID No. NY02-520791

Gemprint is the unique optical fingerprint of your lab grown diamond. This patented technology is positive, forensic identification. Protect your investment and receive discounts up to 10% off your annual insurance premiums. **Register your diamond at Gemprint.com**

Laser Inscription

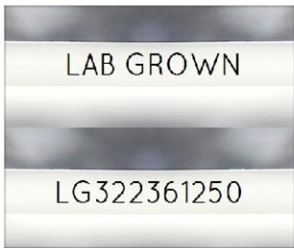
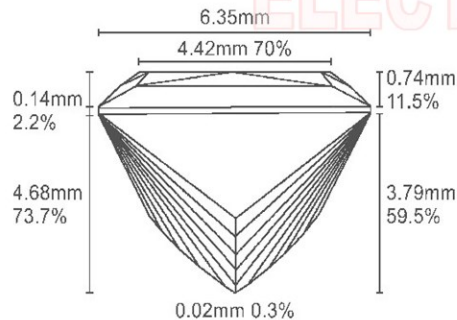


Illustration depicts approx. girdle appearance

Proportion Diagram



GCAL Certificate No. LG322361250

Scan QR code to view photos of this lab grown diamond, grading scales, and to download a PDF of this certificate or go to <https://www.gcalusa.com/c/322361250>



4C's GRADING

Carat Weight	1.57
Color	H
Clarity	VS1
Cut	Ideal

Shape and Cutting Style	Princess
Measurements	6.35x6.35x4.68
Polish	Excellent
Physical Symmetry	Excellent
Optical Brilliance	Excellent
Optical Symmetry	Excellent
Table %	70%
Depth %	73.7%
Girdle	Thin
Culet	None
Fluorescence	None
Inscription	"LAB GROWN" & "LG322361250"
Growth Method	CVD



GCAL GEM CERTIFICATION & ASSURANCE LAB
ISO 17025 ACCREDITED FORENSIC LABORATORY

580 Fifth Ave, Flr 27, NYC, NY 10036
T 212-869-8985 GCALUSA.com



ISO/IEC 17025 2017
ANAB L2177-1 Accredited Testing Lab

© Gem Certification & Assurance Lab, Inc.

This laboratory grown diamond was created by the CVD (Chemical Vapor Deposition) method, and has the same chemical, physical and optical properties as a mined diamond.

Clarity Characteristics and Locations

Crystals

Table, Crown Corner