

LAB GROWN DIAMOND

GCAL 322361248

September 13, 2022



ID No. NY02-520792

Gemprint is the unique optical fingerprint of your lab grown diamond. This patented technology is positive, forensic identification. Protect your investment and receive discounts up to 10% off your annual insurance premiums. **Register your diamond at Gemprint.com**

Laser Inscription

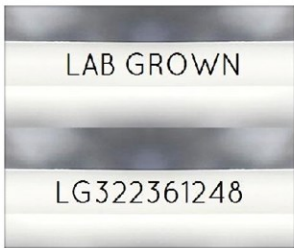
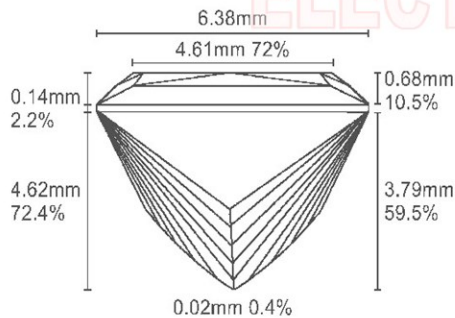


Illustration depicts approx. girdle appearance

Proportion Diagram



GCAL Certificate No. LG322361248

Scan QR code to view photos of this lab grown diamond, grading scales, and to download a PDF of this certificate or go to <https://www.gcalusa.com/c/322361248>



4C's GRADING

Carat Weight	1.57
Color	G
Clarity	VS1
Cut	Excellent

Shape and Cutting Style

Princess

Measurements

6.39x6.38x4.62

Polish

Excellent

Physical Symmetry

Very Good

Optical Brilliance

Excellent

Optical Symmetry

Very Good

Table %

72%

Depth %

72.4%

Girdle

Thin

Culet

None

Fluorescence

None

Inscription

"LAB GROWN" & "LG322361248"

Growth Method

CVD

This laboratory grown diamond was created by the CVD (Chemical Vapor Deposition) method, and has the same chemical, physical and optical properties as a mined diamond.

Clarity Characteristics and Locations

Crystals
Feather

Table, Crown Corner
Chevron



GCAL GEM CERTIFICATION & ASSURANCE LAB
ISO 17025 ACCREDITED FORENSIC LABORATORY

580 Fifth Ave, Flr 27, NYC, NY 10036
T 212-869-8985 GCALUSA.com



ISO/IEC 17025 2017
ANAB L2177-1 Accredited Testing Lab

© Gem Certification & Assurance Lab, Inc.