

# LAB GROWN DIAMOND

GCAL 322361217

September 13, 2022



ID No. NY02-520769

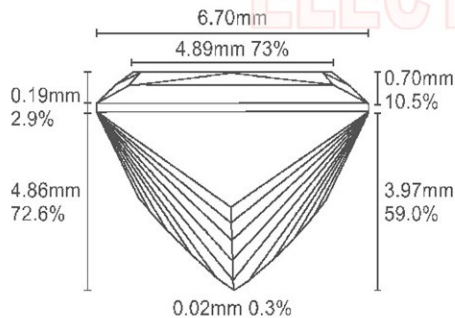
Gemprint is the unique optical fingerprint of your lab grown diamond. This patented technology is positive, forensic identification. Protect your investment and receive discounts up to 10% off your annual insurance premiums. Register your diamond at [Gemprint.com](https://www.gemprint.com)

## Laser Inscription



Illustration depicts approx. girdle appearance

## Proportion Diagram



GCAL Certificate No. LG322361217

Scan QR code to view photos of this lab grown diamond, grading scales, and to download a PDF of this certificate or go to <https://www.gcalusa.com/c/322361217>



## 4C's GRADING

Carat Weight	1.84
Color	F
Clarity	VS2
Cut	Excellent

## Shape and Cutting Style

Princess

## Measurements

6.71x6.70x4.86

## Polish

Excellent

## Physical Symmetry

Excellent

## Optical Brilliance

Excellent

## Optical Symmetry

Very Good

## Table %

73%

## Depth %

72.6%

## Girdle

Medium

## Culet

None

## Fluorescence

None

## Inscription

"LAB GROWN" & "LG322361217"

## Growth Method

CVD

This laboratory grown diamond was created by the CVD (Chemical Vapor Deposition) method, and has the same chemical, physical and optical properties as a mined diamond.

## Clarity Characteristics and Locations

Crystals

Table, Crown Shoulder, Crown Step



**GCAL** GEM CERTIFICATION & ASSURANCE LAB  
ISO 17025 ACCREDITED FORENSIC LABORATORY

580 Fifth Ave, Flr 27, NYC, NY 10036  
T 212-869-8985 [GCALUSA.com](https://www.gcalusa.com)



ISO/IEC 17025 2017  
ANAB L2177-1 Accredited Testing Lab

© Gem Certification & Assurance Lab, Inc.