

# LAB GROWN DIAMOND

GCAL 322361171

September 13, 2022



ID No. NY02-520716

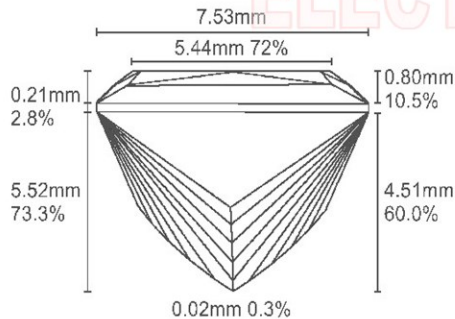
Gemprint is the unique optical fingerprint of your lab grown diamond. This patented technology is positive, forensic identification. Protect your investment and receive discounts up to 10% off your annual insurance premiums. Register your diamond at [Gemprint.com](https://www.gemprint.com)

## Laser Inscription



Illustration depicts approx. girdle appearance

## Proportion Diagram



GCAL Certificate No. LG322361171

Scan QR code to view photos of this lab grown diamond, grading scales, and to download a PDF of this certificate or go to <https://www.gcalusa.com/c/322361171>



## 4C's GRADING

Carat Weight	2.69
Color	H
Clarity	VS2
Cut	Excellent

Shape and Cutting Style	Princess
Measurements	7.57x7.53x5.52
Polish	Excellent
Physical Symmetry	Very Good
Optical Brilliance	Excellent
Optical Symmetry	Excellent
Table %	72%
Depth %	73.3%
Girdle	Medium to Sl.Thick
Culet	None
Fluorescence	None
Inscription	"LAB GROWN" & "LG322361171"
Growth Method	CVD



**GCAL** GEM CERTIFICATION & ASSURANCE LAB  
ISO 17025 ACCREDITED FORENSIC LABORATORY

580 Fifth Ave, Flr 27, NYC, NY 10036  
T 212-869-8985 [GCALUSA.com](https://www.gcalusa.com)



ISO/IEC 17025 2017  
ANAB L2177-1 Accredited Testing Lab

© Gem Certification & Assurance Lab, Inc.

This laboratory grown diamond was created by the CVD (Chemical Vapor Deposition) method, and has the same chemical, physical and optical properties as a mined diamond.

## Clarity Characteristics and Locations

Pinpoints	Table
Feather	Crown Corner