

# LAB GROWN DIAMOND

GCAL 321883451

July 15, 2022



ID No. NY02-507176

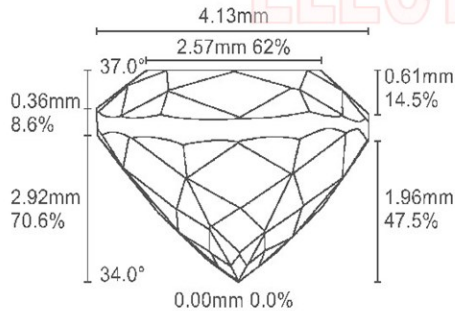
Gemprint is the unique optical fingerprint of your lab grown diamond. This patented technology is positive, forensic identification. Protect your investment and receive discounts up to 10% off your annual insurance premiums. Register your diamond at [Gemprint.com](https://www.gemprint.com)

## Laser Inscription



Illustration depicts approx. girdle appearance

## Proportion Diagram



GCAL Certificate No. LG321883451

Scan QR code to view photos of this lab grown diamond, grading scales, and to download a PDF of this certificate or go to <https://www.gcalusa.com/c/321883451>



## 4C's GRADING

Carat Weight	0.70
Color	E
Clarity	VS2
Cut	Very Good

Shape and Cutting Style	Round Cornered Rectangular Modified Brilliant
Measurements	6.22x4.13x2.92
Polish	Good
Physical Symmetry	Good
Optical Brilliance	Excellent
Optical Symmetry	Very Good
Table %	62%
Depth %	70.6%
Girdle	Medium to Ex. Thick, Faceted
Culet	None
Fluorescence	None
Inscription	"LAB GROWN" & "LG321883451"
Growth Method	HPHT

This laboratory grown diamond was created by the HPHT (High Pressure High Temperature) method, and has the same chemical, physical and optical properties as a mined diamond.

## Clarity Characteristics and Locations

Cloud, Feather	Table
Pinpoints	Table, Upper Girdle



**GCAL** GEM CERTIFICATION & ASSURANCE LAB  
ISO 17025 ACCREDITED FORENSIC LABORATORY

580 Fifth Ave, Flr 27, NYC, NY 10036  
T 212-869-8985 [GCALUSA.com](https://www.gcalusa.com)



ISO/IEC 17025 2017  
ANAB L2177-1 Accredited Testing Lab

© Gem Certification & Assurance Lab, Inc.