

# LAB GROWN DIAMOND

GCAL 321712652

July 05, 2022



ID No. NY02-504203

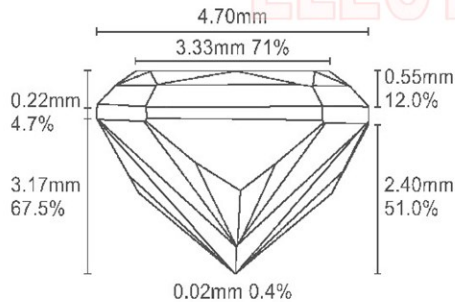
Gemprint is the unique optical fingerprint of your lab grown diamond. This patented technology is positive, forensic identification. Protect your investment and receive discounts up to 10% off your annual insurance premiums. Register your diamond at [Gemprint.com](https://www.gemprint.com)

## Laser Inscription



Illustration depicts approx. girdle appearance

## Proportion Diagram



GCAL Certificate No. LG321712652

Scan QR code to view photos of this lab grown diamond, grading scales, and to download a PDF of this certificate or go to <https://www.gcalusa.com/c/321712652>



## 4C's GRADING

Carat Weight	0.83
Color	D
Clarity	VS1
Cut	Excellent

Shape and Cutting Style	Radiant Brilliant
Measurements	6.51x4.70x3.17
Polish	Very Good
Physical Symmetry	Very Good
Optical Brilliance	Excellent
Optical Symmetry	Very Good
Table %	71%
Depth %	67.5%
Girdle	Sl.Thick to Thick
Culet	None
Fluorescence	None
Clarity Characteristics	Cloud/Crown Shoulder
Inscription	"LAB GROWN" & "LG321712652"
Growth Method	HPHT



**GICAL** GEM CERTIFICATION & ASSURANCE LAB  
ISO 17025 ACCREDITED FORENSIC LABORATORY

580 Fifth Ave, Flr 27, NYC, NY 10036  
T 212-869-8985 GICALUSA.com

© Gem Certification & Assurance Lab, Inc.



ISO/IEC 17025 2017  
ANAB L2177-1 Accredited Testing Lab

This laboratory grown diamond was created by the HPHT (High Pressure High Temperature) method, and has the same chemical, physical and optical properties as a mined diamond.