

## Identification Data



April 29, 2022  
 LAB GROWN DIAMOND  
 Certificate No: 321120128

## Gemprint™ *The fingerprint system for diamonds®*



Gemprint is the unique optical identification fingerprint of your lab grown diamond. Register your lab grown diamond fingerprint at [www.Gemprint.com](http://www.Gemprint.com) and receive insurance discounts up to 10%.

## Laser Inscription



Girdle laser inscribed:  
 GCAL LG321120128  
 GROWN IN THE USA  
 PAT. 6,858,078  
 This illustration depicts the approximate appearance of the inscriptions

*Certified*  
**SUSTAINABILITY RATED DIAMOND**  
 SCS GLOBAL SERVICES

All certified diamonds come with an individual certificate, ONLY available at an accredited retailer



FOR THE SUSTAINABILITY RATED CERTIFICATE, SCAN HERE →

## The 4Cs Grading Analysis

GCAL 321120128      LAB GROWN DIAMOND\*

**Carat Weight:** 1.54

**Cut:** Very Good  
 Shape: Princess  
 Measurements: 6.29x6.24x4.44mm  
 Optical Brilliance: Excellent  
 Optical Symmetry: Good  
 Polish: Very Good  
 External Symmetry: Very Good  
 Girdle Thickness: SI.Thick-Thick  
 Culet Size: None

**Color:** F  
**Fluorescence:** None

**Clarity:** SI1  
 Identifying Characteristic(s): Feathers/Crystal  
 Characteristic Location(s): Chevron, Half Moon/ Crown Shoulder

\*Comments: This laboratory grown diamond was created by the CVD (Chemical Vapor Deposition) method, and has the same chemical, physical, and optical properties as a mined diamond. This diamond is Type IIa, which means it is devoid of nitrogen impurities. As Grown - No evidence of post-growth treatment was detected.

**Photomicrographs:**  
 Actual images of the crown (top) and pavilion (bottom) of this diamond photographed at magnifications up to 10x.



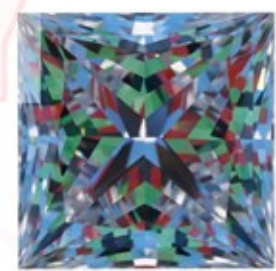
## Light Performance Profile

**Optical Brilliance Analysis:**  
 Brilliance is the overall return of light to the viewer. The brilliance image is a representation of (a) white areas of light return, or brilliance, and (b) dark-blue areas of light loss.



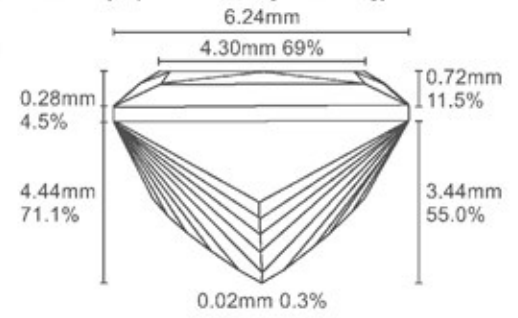
Optical Brilliance  
 Excellent

**Optical Symmetry Analysis:**  
 The colored areas of the symmetry image are indications of light handling ability, giving a visual representation of proportions and facet alignment.



Optical Symmetry  
 Good

**Proportion Diagram:**  
 The proportion diagram illustrates the actual dimensions as recorded by optical scanning technology.



**GCAL** GEM CERTIFICATION & ASSURANCE LAB  
 ISO 17025 ACCREDITED FORENSIC LABORATORY

580 Fifth Ave LL-05  
 New York, NY 10036  
 T 212-869-8985  
 GCALUSA.com

**ANAB**  
 ISO/IEC 17025 2017  
 ANAB L2177-1 Accredited Testing Lab