

February 21, 2022



GCAL Certificate No:

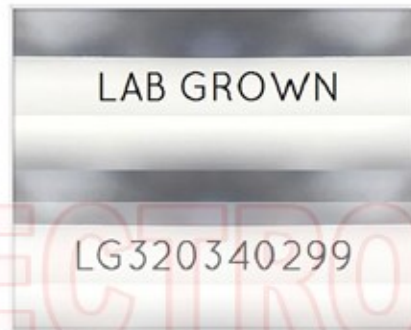
320340299



is the unique optical fingerprint for positive identification of your lab grown diamond. Protect your investment by registering your lab grown diamond at [www.Gemprint.com](http://www.Gemprint.com) and receive insurance discounts up to 10%



Gemprint



Girdle laser inscribed "LAB GROWN" and "LG320340299"

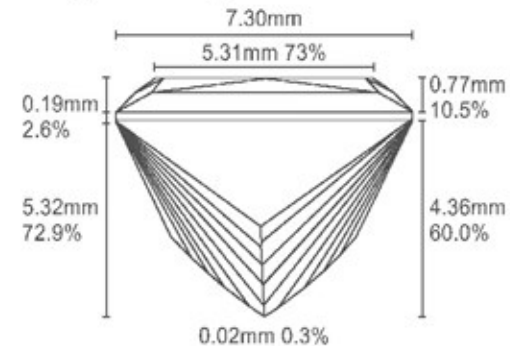
\*Comments: This laboratory grown diamond was created by the CVD (Chemical Vapor Deposition) method, and has the same chemical, physical, and optical properties as a mined diamond. This diamond is Type IIa, which means it is devoid of nitrogen impurities.

### LAB GROWN DIAMOND\*

|                                |                     |
|--------------------------------|---------------------|
| <b>Carat Weight:</b>           | <b>2.41</b>         |
| <b>Cut:</b>                    | <b>Excellent</b>    |
| Shape:                         | Princess            |
| Measurements:                  | 7.31x7.30x5.32mm    |
| Polish:                        | Very Good           |
| External Symmetry:             | Very Good           |
| Girdle Thickness:              | Thin                |
| Culet Size:                    | None                |
| <b>Color:</b>                  | <b>H</b>            |
| Fluorescence:                  | None                |
| <b>Clarity:</b>                | <b>VS1</b>          |
| Identifying Characteristic(s): | Crystals, Pinpoints |
| Characteristic Location(s):    | Table               |

### Proportion Diagram:

The proportion diagram illustrates the actual dimensions as recorded by optical scanning technology.



**GCAL** GEM CERTIFICATION & ASSURANCE LAB  
ISO 17025 ACCREDITED FORENSIC LABORATORY

580 Fifth Ave LL-05, New York, NY 10036  
T 212-869-8985 GCALUSA.com

© Gem Certification & Assurance Lab, Inc.



ISO/IEC 17025 2017  
ANAB L2177-1 Accredited Testing Lab