

January 20, 2022



GCAL Certificate No:

320100064



is the unique optical fingerprint for positive identification of your lab grown diamond. Protect your investment by registering your lab grown diamond at www.Gemprint.com and receive insurance discounts up to 10%



Gemprint



Girdle laser inscribed "LAB GROWN" and "LG320100064"

*Comments: This laboratory grown diamond was created by the CVD (Chemical Vapor Deposition) method, and has the same chemical, physical, and optical properties as a mined diamond. This diamond is Type IIa, which means it is devoid of nitrogen impurities.

LAB GROWN DIAMOND*

Carat Weight: 0.53

Cut: Excellent

Shape: Oval Brilliant

Measurements: 6.46x4.63x2.85mm

Polish: Excellent

External Symmetry: Very Good

Girdle Thickness: Thin-Sl.Thick

Culet Size: None

Color: F

Fluorescence: None

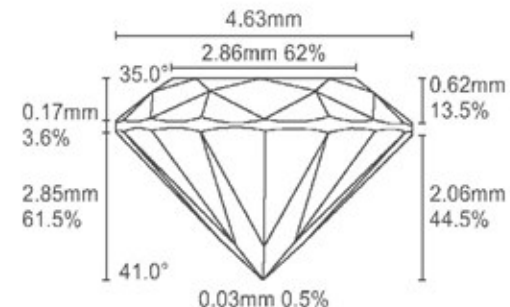
Clarity: VS1

Identifying Characteristic(s): Crystals

Characteristic Location(s): Bezel,Table

Proportion Diagram:

The proportion diagram illustrates the actual dimensions as recorded by optical scanning technology.



GCAL GEM CERTIFICATION & ASSURANCE LAB
ISO 17025 ACCREDITED FORENSIC LABORATORY

580 Fifth Ave LL-05, New York, NY 10036
T 212-869-8985 GCALUSA.com

© Gem Certification & Assurance Lab, Inc.



ISO/IEC 17025 2017
ANAB L2177-1 Accredited Testing Lab