

Identification Data



October 27, 2021

LAB GROWN DIAMOND
Certificate No: 312790331

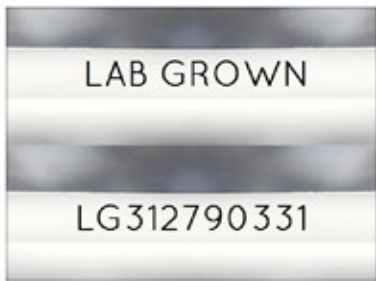
Gemprint®

Gemprint is the unique optical fingerprint for positive identification of your lab grown diamond. Register your lab grown diamond at www.Gemprint.com and receive insurance discounts up to 10%.



Laser Inscription:

The illustration depicts enlarged and approximate appearances of the inscriptions. Girdle laser inscribed "LAB GROWN" and "LG312790331"



The 4Cs Grading Analysis

GCAL 312790331

LAB GROWN DIAMOND*

Carat Weight: 1.52

Cut: Excellent
Shape: Princess
Measurements: 6.03x6.00x4.63mm
Optical Brilliance: Excellent
Optical Symmetry: Very Good
Polish: Excellent
External Symmetry: Very Good
Girdle Thickness: Thick
Culet Size: None

Color: E
Fluorescence: None

Clarity: VVS1
Identifying Characteristic(s): Pinpoints/Feather
Characteristic Location(s): Throughout Pavilion/
Pavilion Corner

*Comments: This laboratory grown diamond was created by the HPHT (High Pressure High Temperature) method, and has the same chemical, physical, and optical properties as a mined diamond.

Photomicrographs:

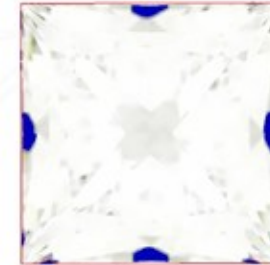
Actual images of the crown (top) and pavilion (bottom) of this diamond photographed at magnifications up to 10x.



Light Performance Profile

Optical Brilliance Analysis:

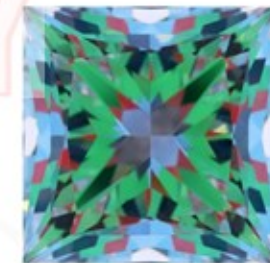
Brilliance is the overall return of light to the viewer. The brilliance image is a representation of (a) white areas of light return, or brilliance, and (b) dark-blue areas of light loss.



Optical Brilliance
Excellent

Optical Symmetry Analysis:

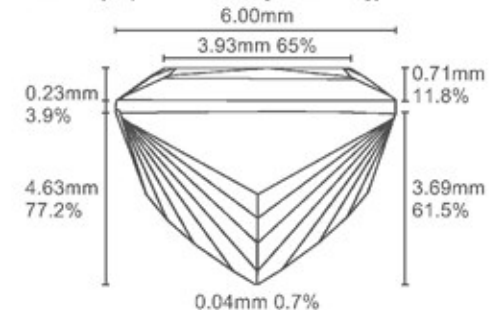
The colored areas of the symmetry image are indications of light handling ability, giving a visual representation of proportions and facet alignment.



Optical Symmetry
Very Good

Proportion Diagram:

The proportion diagram illustrates the actual dimensions as recorded by optical scanning technology.



GCAL GEM CERTIFICATION & ASSURANCE LAB
ISO 17025 ACCREDITED FORENSIC LABORATORY

580 Fifth Ave LL-05
New York, NY 10036
T 212-869-8985
GCALUSA.com



ISO/IEC 17025 2017
ANAB L2177-1 Accredited Testing Lab