

Identification Data



October 11, 2021

LAB GROWN DIAMOND
Certificate No: 312610124

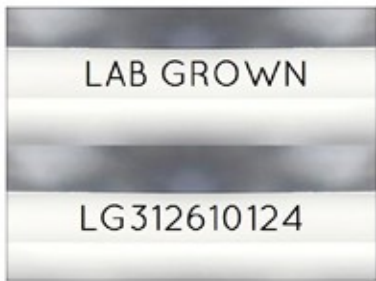
Gemprint®

Gemprint is the unique optical fingerprint for positive identification of your lab grown diamond. Register your lab grown diamond at www.Gemprint.com and receive insurance discounts up to 10%.



Laser Inscription:

The illustration depicts enlarged and approximate appearances of the inscriptions. Girdle laser inscribed "LAB GROWN" and "LG312610124"



The 4Cs Grading Analysis

GCAL 312610124

LAB GROWN DIAMOND*

Carat Weight:

1.60

Cut:

Excellent

Shape:

Radiant Brilliant

Measurements:

7.87x5.77x3.90mm

Optical Brilliance:

Excellent

Optical Symmetry:

Very Good

Polish:

Excellent

External Symmetry:

Excellent

Girdle Thickness:

Thick

Culet Size:

None

Color:

D

Fluorescence:

None

Clarity:

VS1

Identifying Characteristic(s):

Crystals/Clouds

Characteristic Location(s):

Crown Shoulder, Table/
Table-Crown Shoulder

*Comments: This laboratory grown diamond was created by the HPHT (High Pressure High Temperature) method, and has the same chemical, physical, and optical properties as a mined diamond.

Photomicrographs:

Actual images of the crown (top) and pavilion (bottom) of this diamond photographed at magnifications up to 10x.



Light Performance Profile

Optical Brilliance Analysis:

Brilliance is the overall return of light to the viewer. The brilliance image is a representation of (a) white areas of light return, or brilliance, and (b) dark-blue areas of light loss.



Optical Brilliance
Excellent

Optical Symmetry Analysis:

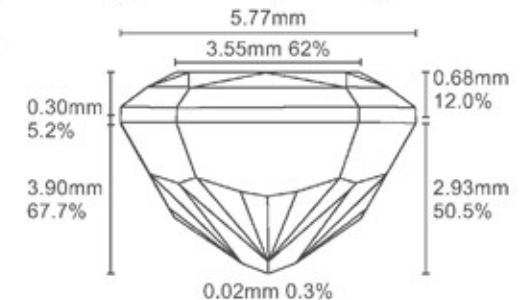
The colored areas of the symmetry image are indications of light handling ability, giving a visual representation of proportions and facet alignment.



Optical Symmetry
Very Good

Proportion Diagram:

The proportion diagram illustrates the actual dimensions as recorded by optical scanning technology.



GCAL GEM CERTIFICATION & ASSURANCE LAB
ISO 17025 ACCREDITED FORENSIC LABORATORY

580 Fifth Ave LL-05
New York, NY 10036
T 212-869-8985
GCALUSA.com



ISO/IEC 17025 2017
ANAB L2177-1 Accredited Testing Lab