

## Identification Data



September 25, 2020

LAB GROWN DIAMOND  
Certificate No: 302670188

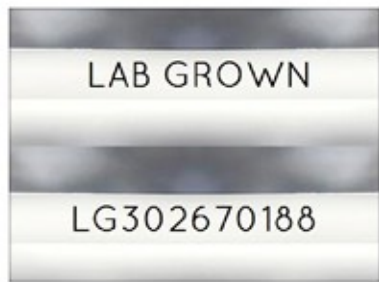
### Gemprint<sup>®</sup>

Gemprint is the unique optical fingerprint for positive identification of your lab grown diamond. Register your lab grown diamond at [www.Gemprint.com](http://www.Gemprint.com) and receive insurance discounts up to 10%.



### Laser Inscription:

The illustration depicts enlarged and approximate appearances of the inscriptions. Girdle laser inscribed "LAB GROWN" and "LG302670188"



## The 4Cs Grading Analysis

GCAL 302670188

LAB GROWN DIAMOND\*

Carat Weight: 1.11

Cut: Very Good  
Shape: Princess  
Measurements: 5.65x5.61x4.10mm  
Optical Brilliance: Excellent  
Optical Symmetry: Very Good  
Polish: Good  
External Symmetry: Very Good  
Girdle Thickness: Medium-SI.Thick  
Culet Size: None

Color: H  
Fluorescence: None

Clarity: VS2  
Identifying Characteristic(s): Crystals/Feathers  
Characteristic Location(s): Table,Crown Shoulder/Table

\*Comments: This man-made diamond was grown in a laboratory by the CVD method, and has the same chemical, physical, and optical properties as a natural earth mined diamond. This diamond is Type IIa, which means it is devoid of nitrogen impurities.

### Photomicrographs:

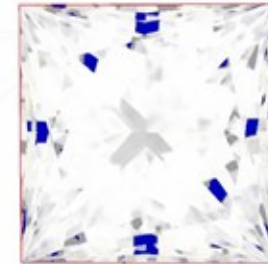
Actual images of the crown (top) and pavilion (bottom) of this diamond photographed at magnifications up to 10x.



## Light Performance Profile

### Optical Brilliance Analysis:

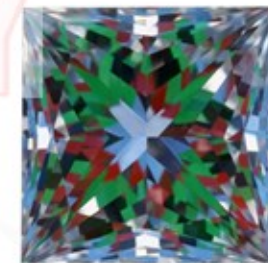
Brilliance is the overall return of light to the viewer. The brilliance image is a representation of (a) white areas of light return, or brilliance, and (b) dark-blue areas of light loss.



Optical Brilliance  
Excellent

### Optical Symmetry Analysis:

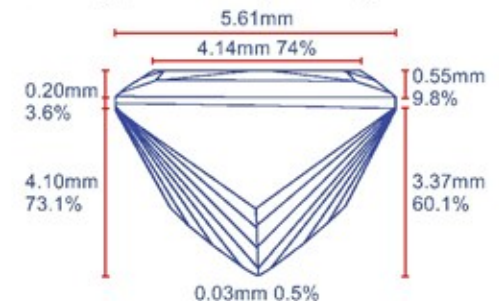
The colored areas of the symmetry image are indications of light handling ability, giving a visual representation of proportions and facet alignment.



Optical Symmetry  
Very Good

### Proportion Diagram:

The proportion diagram illustrates the actual dimensions as recorded by optical scanning technology.



**GCAL** GEM CERTIFICATION & ASSURANCE LAB  
ISO 17025 ACCREDITED FORENSIC LABORATORY

580 Fifth Avenue LL-05, NY, NY 10036 USA • T 212.869.8985 • GCALUSA.com

ISO/IEC 17025:2017  
ANAB L2177-1  
Accredited Testing Lab



Guaranteed Lab Grown Diamond Grading Certificate