

## Identification Data



September 25, 2020  
 LAB GROWN DIAMOND  
 Certificate No: 302670181

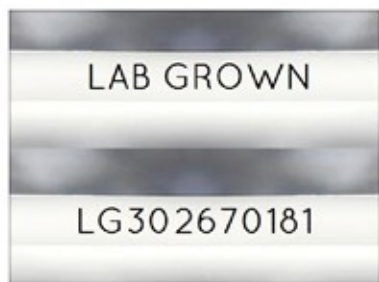


Gemprint is the unique optical fingerprint for positive identification of your lab grown diamond. Register your lab grown diamond at [www.Gemprint.com](http://www.Gemprint.com) and receive insurance discounts up to 10%.



### Laser Inscription:

The illustration depicts enlarged and approximate appearances of the inscriptions. Girdle laser inscribed "LAB GROWN" and "LG302670181"



## The 4Cs Grading Analysis

GCAL 302670181

LAB GROWN DIAMOND\*

Carat Weight: 0.98

Cut: Very Good  
 Shape: Princess  
 Measurements: 5.25x5.23x4.09mm  
 Optical Brilliance: Excellent  
 Optical Symmetry: Very Good  
 Polish: Good  
 External Symmetry: Very Good  
 Girdle Thickness: Very Thin-Thick  
 Culet Size: None

Color: G  
 Fluorescence: None

Clarity: VS2  
 Identifying Characteristic(s): Clouds/Crystal, Feather  
 Characteristic Location(s): Crown Step/Half Moon

\*Comments: This man-made diamond was grown in a laboratory by the CVD method, and has the same chemical, physical, and optical properties as a natural earth mined diamond. This diamond is Type IIa, which means it is devoid of nitrogen impurities.

### Photomicrographs:

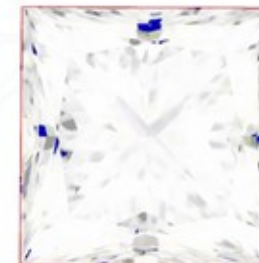
Actual images of the crown (top) and pavilion (bottom) of this diamond photographed at magnifications up to 10x.



## Light Performance Profile

### Optical Brilliance Analysis:

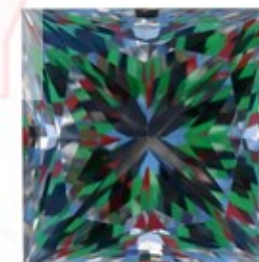
Brilliance is the overall return of light to the viewer. The brilliance image is a representation of (a) white areas of light return, or brilliance, and (b) dark-blue areas of light loss.



Optical Brilliance  
 Excellent

### Optical Symmetry Analysis:

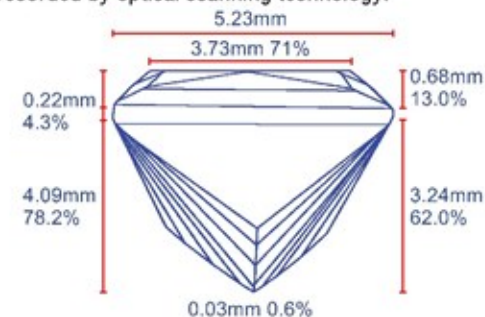
The colored areas of the symmetry image are indications of light handling ability, giving a visual representation of proportions and facet alignment.



Optical Symmetry  
 Very Good

### Proportion Diagram:

The proportion diagram illustrates the actual dimensions as recorded by optical scanning technology.



**GCAL** GEM CERTIFICATION & ASSURANCE LAB  
 ISO 17025 ACCREDITED FORENSIC LABORATORY

580 Fifth Avenue LL-05, NY, NY 10036 USA • T 212.869.8985 • GCALUSA.com

ISO/IEC 17025:2017  
 ANAB L2177-1  
 Accredited Testing Lab

