

December 10, 2019



GCAL Certificate No:

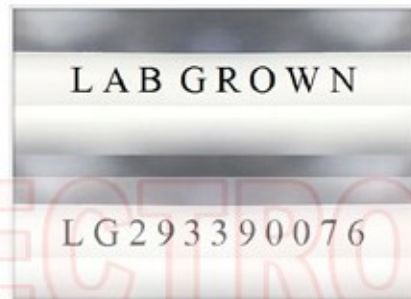
293390076



**Gemprint** is the unique optical fingerprint for positive identification of your lab grown diamond. Protect your investment by registering your lab grown diamond at [www.Gemprint.com](http://www.Gemprint.com) and receive insurance discounts up to 10%



Gemprint



Girdle laser inscribed "LAB GROWN" and "LG293390076"

\*Comments: This man-made diamond was grown in a laboratory by the HPHT method, and has the same chemical, physical, and optical properties as a natural earth mined diamond.



## LAB GROWN DIAMOND\*

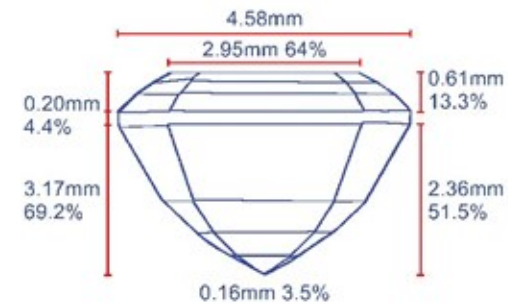
<b>Carat Weight:</b>	<b>0.94</b>
<b>Cut:</b>	<b>Excellent</b>
Shape:	Emerald Step
Measurements:	6.43x4.58x3.17mm
Polish:	Very Good
External Symmetry:	Very Good
Girdle Thickness:	SI.Thick-Thick
Culet Size:	None

<b>Color:</b>	<b>E</b>
Fluorescence:	None

<b>Clarity:</b>	<b>SI1</b>
Identifying Characteristic(s):	Clouds/Crystals, Needles
Characteristic Location(s):	Table, Table-Crown Step, Crown/ Table, Crown Step

### Proportion Diagram:

The proportion diagram illustrates the actual dimensions as recorded by optical scanning technology.



580 Fifth Avenue, LL-05, New York, NY 10036  
T 212.869.8985 F 212.869.2315

© 2019 GCAL

[www.DiamondID.com](http://www.DiamondID.com) [www.GemFacts.com](http://www.GemFacts.com)  
© 2015 Gem Certification & Assurance Lab, Inc. All Rights Reserved