

November 21, 2019



GCAL Certificate No:

293150271



is the unique optical fingerprint for positive identification of your lab grown diamond. Protect your investment by registering your lab grown diamond at www.Gemprint.com and receive insurance discounts up to 10%



Gemprint



Girdle laser inscribed "LAB GROWN" and "LG293150271"

*Comments: This man-made diamond was grown in a laboratory by the HPHT method, and has the same chemical, physical, and optical properties as a natural earth mined diamond.



LAB GROWN DIAMOND*

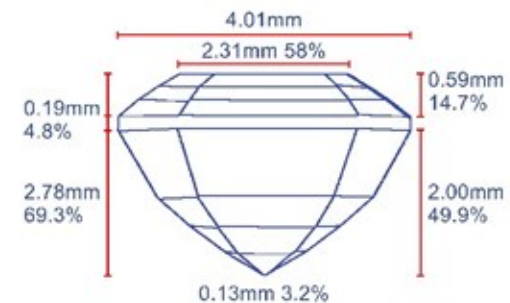
Carat Weight:	0.60
Cut:	Very Good
Shape:	Emerald Step
Measurements:	5.54x4.01x2.78mm
Polish:	Good
External Symmetry:	Good
Girdle Thickness:	Medium-SI.Thick
Culet Size:	None

Color:	E
Fluorescence:	None

Clarity:	SI1
Identifying Characteristic(s):	Crystals/Clouds
Characteristic Location(s):	Table/Table-Crown Step

Proportion Diagram:

The proportion diagram illustrates the actual dimensions as recorded by optical scanning technology.



580 Fifth Avenue, LL-05, New York, NY 10036
T 212.869.8985 F 212.869.2315

© 2019 GCAL

www.DiamondID.com www.GemFacts.com
© 2015 Gem Certification & Assurance Lab, Inc. All Rights Reserved