

Identification Data



November 11, 2019

LAB GROWN DIAMOND
Certificate No: 293090015

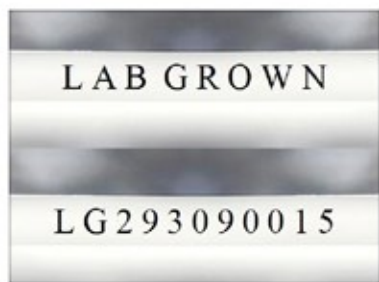
Gemprint™

Gemprint is the unique optical fingerprint for positive identification of your lab grown diamond. Register your lab grown diamond at www.Gemprint.com and receive insurance discounts up to 10%.



Laser Inscription:

The illustration depicts enlarged and approximate appearances of the inscriptions. Girdle laser inscribed "LAB GROWN" and "LG293090015"



The 4Cs Grading Analysis

GCAL 293090015

LAB GROWN DIAMOND*

Carat Weight:

1.52

Cut:

Very Good

Shape:

Princess

Measurements:

6.19x6.09x4.57mm

Optical Brilliance:

Excellent

Optical Symmetry:

Very Good

Polish:

Very Good

External Symmetry:

Good

Girdle Thickness:

SI.Thick-Thick

Culet Size:

None

Color:

E

Fluorescence:

None

Clarity:

VVS1

Identifying Characteristic(s):

Pinpoint

Characteristic Location(s):

Table,Pavilion

*Comments: This man-made diamond was grown in a laboratory by the CVD method, and has the same chemical, physical, and optical properties as an earth mined diamond.

Photomicrographs:

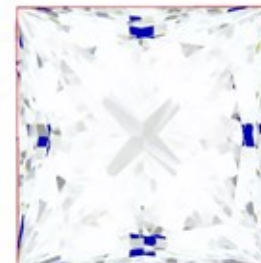
Actual images of the crown (top) and pavilion (bottom) of this diamond photographed at magnifications up to 10x.



Light Performance Profile

Optical Brilliance Analysis:

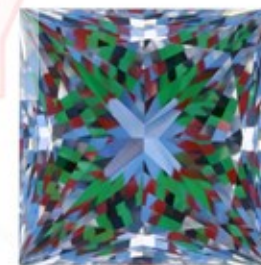
Brilliance is the overall return of light to the viewer. The brilliance image is a representation of (a) white areas of light return, or brilliance, and (b) dark-blue areas of light loss.



Optical Brilliance
Excellent

Optical Symmetry Analysis:

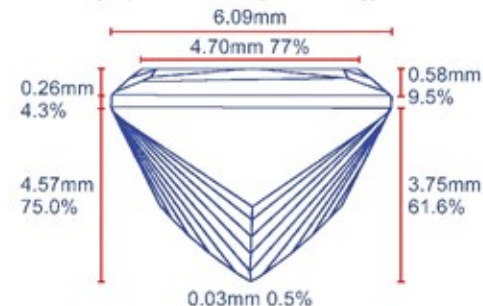
The colored areas of the symmetry image are indications of light handling ability, giving a visual representation of proportions and facet alignment.



Optical Symmetry
Very Good

Proportion Diagram:

The proportion diagram illustrates the actual dimensions as recorded by optical scanning technology.



GCAL
GEM CERTIFICATION & ASSURANCE LAB
INTEGRITY GUARANTEED™



ISO/IEC 17025:2017 ANAB Accredited Testing Lab
580 Fifth Avenue, New York, NY 10036, T 212.869.8985 F 212.869.2315
www.DiamondID.com, www.GemFacts.com, www.Gemprint.com