

## Identification Data



December 04, 2018

LAB GROWN DIAMOND  
Certificate No: 283070154

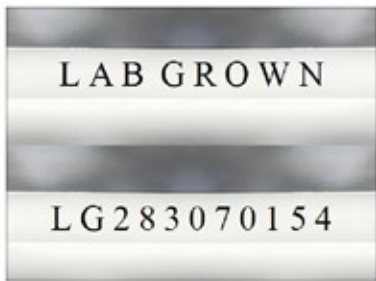
### Gemprint®

Gemprint is the unique optical fingerprint for positive identification of your lab grown diamond. Register your lab grown diamond at [www.Gemprint.com](http://www.Gemprint.com) and receive insurance discounts up to 10%.



### Laser Inscription:

The illustration depicts enlarged and approximate appearances of the inscriptions. Girdle laser inscribed "LAB GROWN" and "LG283070154"



## The 4Cs Grading Analysis

GCAL 283070154

LAB GROWN DIAMOND\*

**Carat Weight:** 0.85

**Cut:** Very Good  
**Shape:** Princess  
**Measurements:** 5.06x5.01x3.79mm  
**Optical Brilliance:** Excellent  
**Optical Symmetry:** Very Good  
**Polish:** Very Good  
**External Symmetry:** Good  
**Girdle Thickness:** Very Thick  
**Culet Size:** None

**Color:** G  
**Fluorescence:** None

**Clarity:** VS2  
**Identifying Characteristic(s):** Feathers  
**Characteristic Location(s):** Table, Girdle

\*Comments: This man-made diamond was grown in a laboratory by the CVD method, and has the same chemical, physical, and optical properties as an earth mined diamond.

### Photomicrographs:

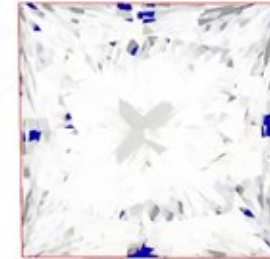
Actual images of the crown (top) and pavilion (bottom) of this diamond photographed at magnifications up to 10x.



## Light Performance Profile

### Optical Brilliance Analysis:

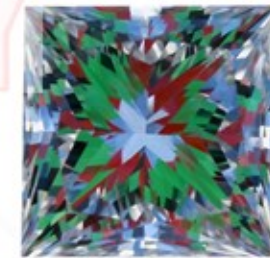
Brilliance is the overall return of light to the viewer. The brilliance image is a representation of (a) white areas of light return, or brilliance, and (b) dark-blue areas of light loss.



Optical Brilliance  
Excellent

### Optical Symmetry Analysis:

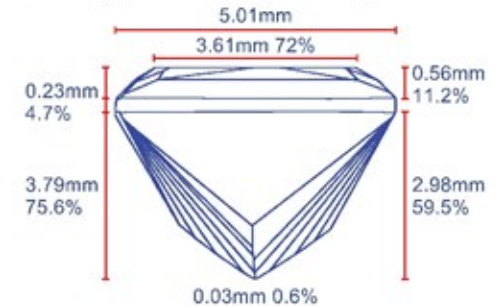
The colored areas of the symmetry image are indications of light handling ability, giving a visual representation of proportions and facet alignment.



Optical Symmetry  
Very Good

### Proportion Diagram:

The proportion diagram illustrates the actual dimensions as recorded by optical scanning technology.



**GCAL**  
GEM CERTIFICATION & ASSURANCE LAB  
INTEGRITY GUARANTEED™



580 Fifth Avenue, New York, NY 10036, T 212.869.8985 F 212.869.2315  
[www.DiamondID.com](http://www.DiamondID.com), [www.GemFacts.com](http://www.GemFacts.com), [www.Gemprint.com](http://www.Gemprint.com)

Guaranteed Lab Grown Diamond Grading Certificate