

Identification Data



August 01, 2018

LAB GROWN DIAMOND
Certificate No: 282070028

Gemprint®

Gemprint is the unique optical fingerprint for positive identification of your lab grown diamond. Register your lab grown diamond at www.Gemprint.com and receive insurance discounts up to 10%.



Laser Inscription:

The illustration depicts enlarged and approximate appearances of the inscriptions. Girdle laser inscribed "LAB GROWN" and "LG282070028"



The 4Cs Grading Analysis

GCAL 282070028

LAB GROWN DIAMOND*

Carat Weight: 0.64

Cut: Very Good
Shape: Emerald Step
Measurements: 5.82x3.83x2.67mm
Optical Brilliance: Excellent
Optical Symmetry: Very Good
Polish: Good
External Symmetry: Good
Girdle Thickness: Thick-Very Thick
Culet Size: None

Color: F
Fluorescence: None

Clarity: VS1
Identifying Characteristic(s): Clouds
Characteristic Location(s): Crown Step, Table

*Comments: This man-made diamond was grown in a laboratory by the CVD method, and has the same chemical, physical, and optical properties as an earth mined diamond.

Photomicrographs:

Actual images of the crown (top) and pavilion (bottom) of this diamond photographed at magnifications up to 10x.



Light Performance Profile

Optical Brilliance Analysis:

Brilliance is the overall return of light to the viewer. The brilliance image is a representation of (a) white areas of light return, or brilliance, and (b) dark-blue areas of light loss.



Optical Brilliance
Excellent

Optical Symmetry Analysis:

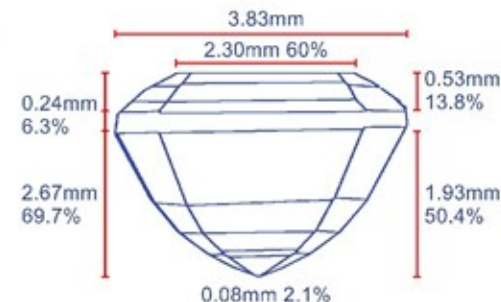
The colored areas of the symmetry image are indications of light handling ability, giving a visual representation of proportions and facet alignment.



Optical Symmetry
Very Good

Proportion Diagram:

The proportion diagram illustrates the actual dimensions as recorded by optical scanning technology.



GCAL
GEM CERTIFICATION & ASSURANCE LAB
INTEGRITY GUARANTEED™



580 Fifth Avenue, New York, NY 10036, T 212.869.8985 F 212.869.2315
www.DiamondID.com, www.GemFacts.com, www.Gemprint.com