

## Identification Data



October 18, 2017

LAB GROWN DIAMOND  
Certificate No: 272850086

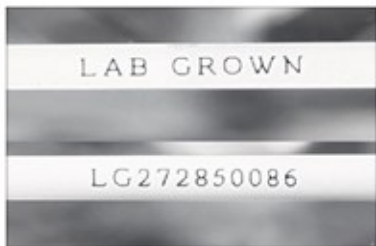
### Gemprint®

Gemprint is the unique optical fingerprint for positive identification of your lab grown diamond. Register your lab grown diamond at [www.Gemprint.com](http://www.Gemprint.com) and receive insurance discounts up to 10%.



### Laser Inscription:

Actual image of the inscription photographed at magnification greater than 10x. Girdle laser inscribed "LAB GROWN" and "LG272850086"



## The 4Cs Grading Analysis

GCAL 272850086

LAB GROWN DIAMOND\*

Carat Weight: 1.02

Cut: Excellent  
Shape: Princess  
Measurements: 5.45x5.34x3.85mm  
Optical Brilliance: Excellent  
Optical Symmetry: Very Good  
Polish: Very Good  
External Symmetry: Very Good  
Girdle Thickness: SI.Thick  
Culet Size: None

Color: I  
Fluorescence: None

Clarity: VS2  
Identifying Characteristic(s): Feather  
Characteristic Location(s): Table-Crown Shoulder

\*Comments: This man-made diamond was grown in a laboratory by the CVD method, and has the same chemical, physical, and optical properties as a natural earth mined diamond.

### Photomicrographs:

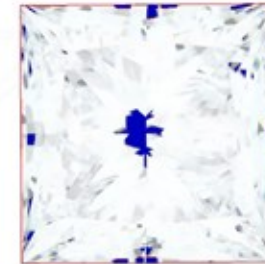
Actual images of the crown (top) and pavilion (bottom) of this diamond photographed at magnifications up to 10x.



## Light Performance Profile

### Optical Brilliance Analysis:

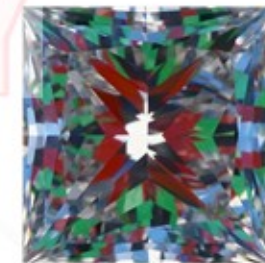
Brilliance is the overall return of light to the viewer. The brilliance image is a representation of (a) white areas of light return, or brilliance, and (b) dark-blue areas of light loss.



Optical Brilliance  
Excellent

### Optical Symmetry Analysis:

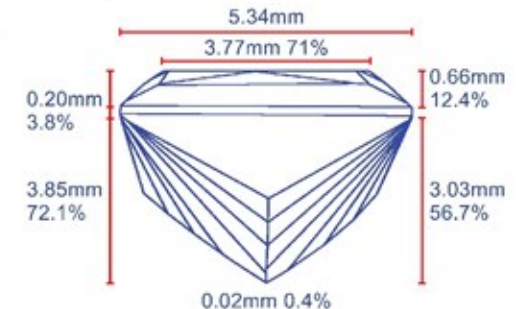
The colored areas of the symmetry image are indications of light handling ability, giving a visual representation of proportions and facet alignment.



Optical Symmetry  
Very Good

### Proportion Diagram:

The proportion diagram illustrates the actual dimensions as recorded by optical scanning technology.



**GCAL**  
GEM CERTIFICATION & ASSURANCE LAB  
INTEGRITY GUARANTEED™



580 Fifth Avenue, New York, NY 10036, T 212.869.8985 F 212.869.2315  
[www.DiamondID.com](http://www.DiamondID.com), [www.GemFacts.com](http://www.GemFacts.com), [www.Gemprint.com](http://www.Gemprint.com)

© 2017 GCAL

© 2015 Gem Certification & Assurance Lab, Inc. All Rights Reserved

Guaranteed Lab Grown Diamond Grading Certificate

ELECTRONIC COPY