

LAB GROWN DIAMOND

GCAL LG353536511

February 19, 2026

LASER INSCRIPTION

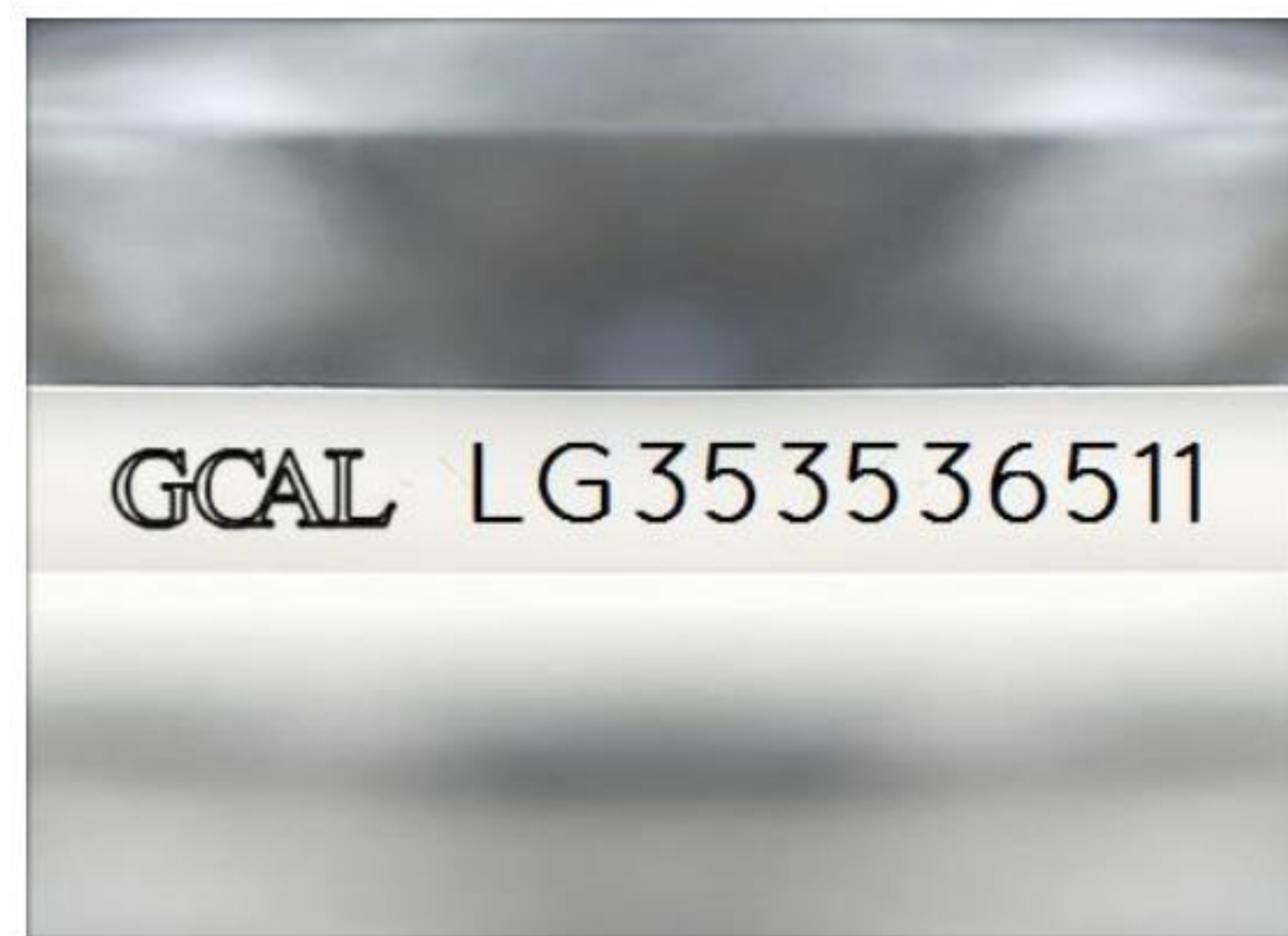


Illustration depicts approx. girdle appearance

CLARITY

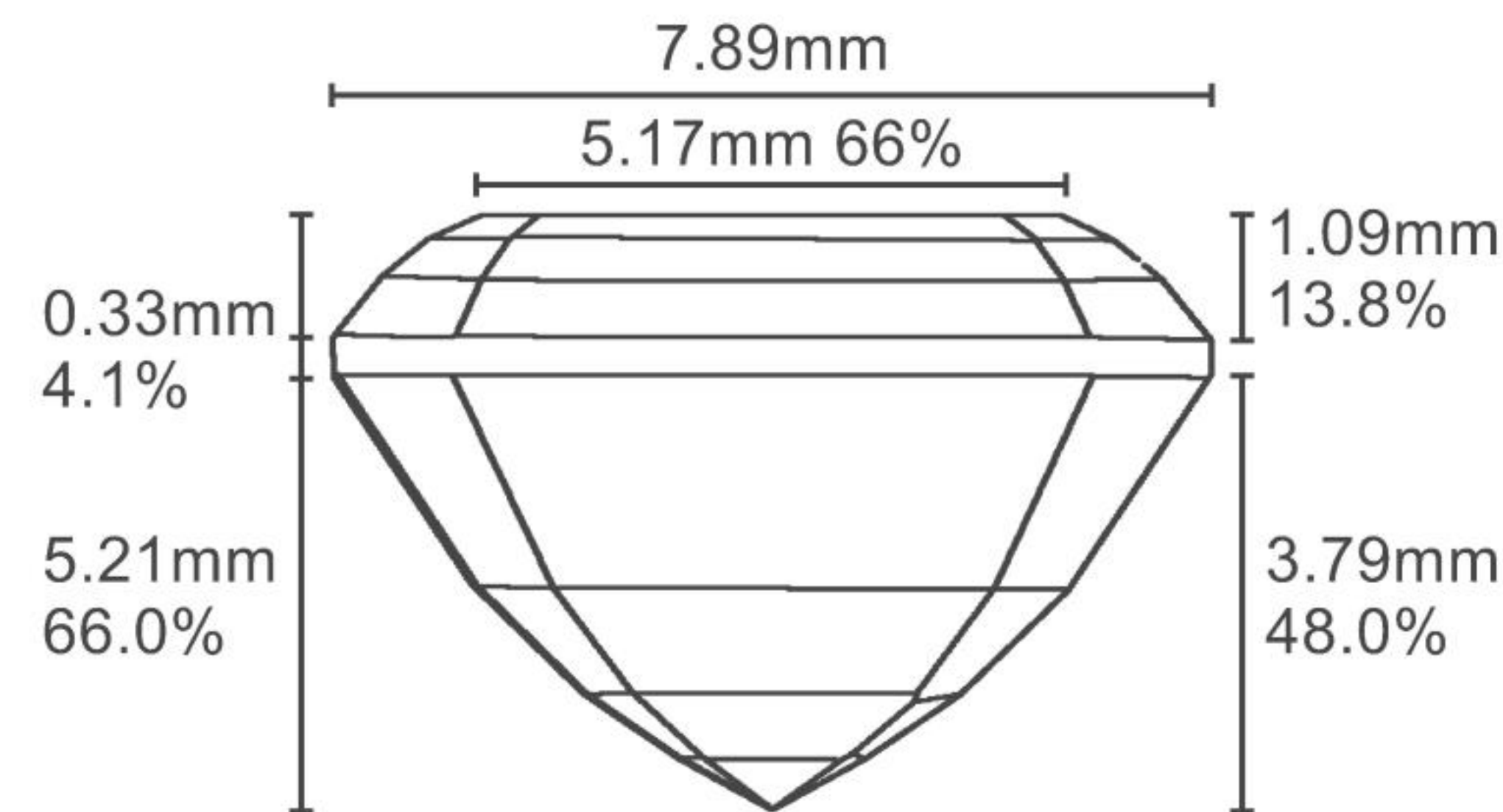


For illustration purposes only

CLARITY GRADING SCALE



PROPORTION DIAGRAM

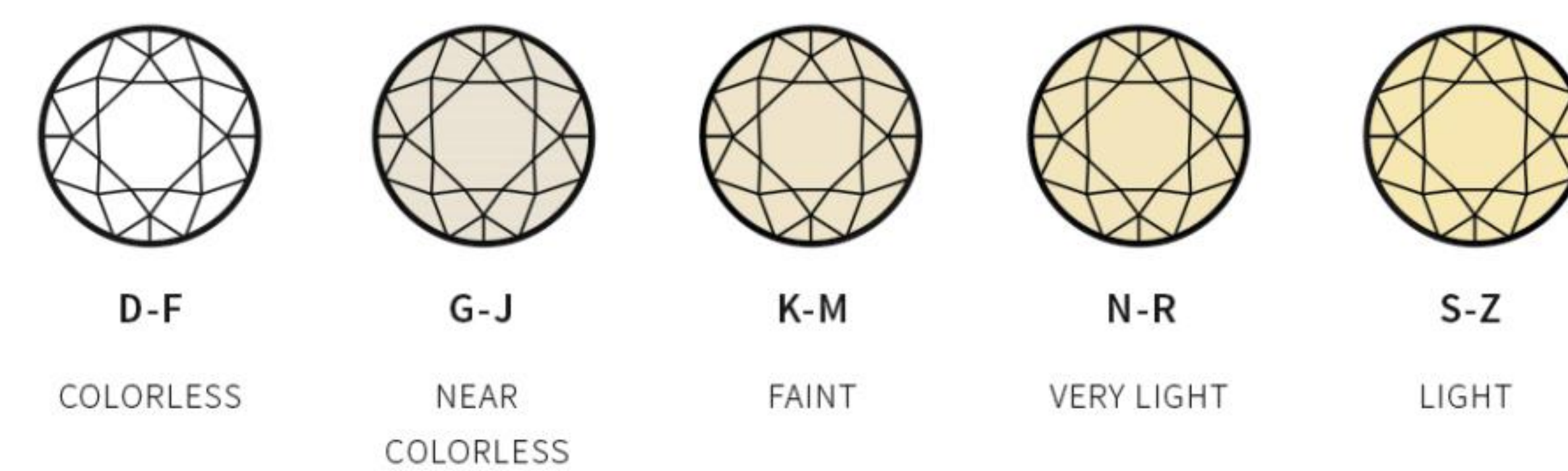


Actual proportion diagram

CUT GRADING SCALE



COLOR



For illustration purposes only

COLOR GRADING SCALE



GCAL by Sarine Certificate Number

LG353536511

Scan QR code to view details of this lab grown diamond, grading scales, and to download a PDF of this certificate or go to <https://www.gcalusa.com/c/353536511>



4Cs GRADING

Carat Weight	4.78
Color	F
Clarity	VVS2
Cut	Excellent

Shape and Cutting Style	Emerald Step
Measurements	11.54 - 7.89 x 5.21 mm
Polish	Excellent
Symmetry	Excellent
Table%	66%
Depth%	66.0%
Girdle	Sl.Thick
Culet	None
Fluorescence	None
Inscription	GCAL LG353536511
Growth Method	CVD

This lab grown diamond was created by the CVD (Chemical Vapor Deposition) method, and has the same chemical, physical and optical properties as a mined diamond.

GCAL has examined this lab grown diamond and certifies that the specifications noted in this document are accurate within recognized gemological tolerances. GCAL is an independent third-party and stands behind our grading with a 4Cs Consumer Guarantee. The guarantee, grading scales and all images unique to this lab grown diamond are available at GCALUSA.com.



GCAL BY SARINE
ISO 17025 Accredited Forensic Laboratory

580 Fifth Ave, Flr 27
New York, NY 10036
T 212-869-8985
GCALUSA.com



ISO/IEC 17025 2017
ANAB L2177-1 Accredited Testing Lab